

FUJITSU Desktop ESPRIMO D5xx / D7xx / D9xx



Thank you for buying an innovative product from Fujitsu.

Latest information about our products, useful tips, updates etc. is available on our website: ["http://www.fujitsu.com/fts/"](http://www.fujitsu.com/fts/)

You can find driver updates at: ["http://support.ts.fujitsu.com/download"](http://support.ts.fujitsu.com/download)

Should you have any technical questions, please contact:

- our Hotline/Service Desk (["http://support.ts.fujitsu.com/contact/service desk"](http://support.ts.fujitsu.com/contact/service desk))
- Your sales partner
- Your sales office

We hope you enjoy using your new Fujitsu system!



Published by / Contact address in the EU

Fujitsu Technology Solutions GmbH

Mies-van-der-Rohe-Straße 8

80807 Munich, Germany

["http://www.fujitsu.com/fts/"](http://www.fujitsu.com/fts/)

Copyright

© Fujitsu Technology Solutions GmbH 2016. All rights reserved.

Publication Date

11/2016

Order No.: A26361-K1186-Z320-1-7619, edition 2

FUJITSU Desktop ESPRIMO D5xx / D7xx / D9xx

Operating Manual

Your ESPRIMO	7
Ports and operating elements	9
Important notes	11
Getting started	13
Operation	22
Problem solutions and tips	28
System expansions	32
Technical specification	75
Index	77

Remarks

Information on the product description meets the design specifications of Fujitsu and is provided for comparison purposes. Several factors may cause the actual results to differ. Technical data is subject to change without prior notification. Fujitsu rejects any responsibility with regard to technical or editorial mistakes or omissions.

Trademarks

Fujitsu, the Fujitsu logo and ESPRIMO are registered trademarks of Fujitsu Limited or its subsidiaries in the USA and other countries.

Kensington, MicroSaver and K-Slot are registered trademarks of ACCO Brands.

Microsoft and Windows are trademarks or registered trademarks of Microsoft Corporation in the USA and/or other countries.

All other trademarks specified here are the property of their respective owners.

Copyright

No part of this publication may be copied, reproduced or translated without the prior written consent of Fujitsu.

No part of this publication may be saved or transferred by any electronic means without the written approval of Fujitsu.

Contents

Your ESPRIMO	7
Validity of the Reference Manual	7
Notational conventions	8
Ports and operating elements	9
Front	9
Rear	10
Important notes	11
Safety information	11
Transporting the device	11
Cleaning the device	12
Energy saving, disposal and recycling	12
Getting started	13
Unpacking and checking the delivery	13
Steps for initial setup	13
Setting up the device	14
Vertical operating position with feet (optional)	14
Connecting the device to the mains supply	16
Connecting external devices	17
Ports on the device	17
Connecting a monitor	18
Connecting the mouse	18
Connecting the keyboard	19
Connecting external devices to the serial interface	19
Connecting external devices to the USB ports	20
Switching on for the first time: installing the software	20
Switch on the monitor and the machine	21
Installing the software	21
Operation	22
Switch the device on	22
Switching off the device	22
Procedure in an emergency	22
Indicators on the device	23
Keyboard	24
Important keys and keyboard shortcuts	24
Settings in BIOS Setup	25
Property and data protection	26
Mechanically protecting and locking the casing	26
BIOS setup security functions	27
Access authorisation via SmartCard	27
Operating the SmartCard reader (optional)	27
Problem solutions and tips	28
Help if problems occur	28
Troubleshooting	28
Power-on indicator remains unlit after you have switched on your device	28
The device cannot be switched off with the ON/OFF switch.	29
Monitor remains blank	29
No mouse pointer displayed on the screen	30

Time and/or date is not correct	30
SmartCard reader is not recognised.	30
SmartCard PIN forgotten	31
Error messages on the screen	31
Installing new software	31
Restoring the hard disk contents	31
Tips	31
System expansions	32
Information about boards	33
Removing the casing cover	34
Reattaching the casing cover.	35
Overview of drive bays and drives in your device	36
Changing the drive cover	37
Installing and removing an accessible slimline drive in the upper bay (optional)	40
Installing the drive plate for the slimline drive	40
Installing a slimline drive	42
Removing a slimline drive	43
Opening and closing the drive cage	45
Opening the drive cage	45
Closing the drive cage	46
Installing and removing 2½ inch drives in a 3½ inch adapter	47
Installing 2½ inch drives in a 3½ inch adapter	47
Removing 2½ inch drives from a 3½ inch adapter	49
Installing and removing drives in the lower bay (optional)	50
Installing and removing a 3½ inch drive or a 3½ inch adapter	50
Installing and removing a 2½ inch drive (screw fastened)	53
Installing and removing drives in the middle bay (optional)	55
Installing a 3½ inch drive	55
Removing a 3½ inch drive	57
Installing and removing an M.2 module	58
Installing an M.2 module	58
Removing an M.2 module	59
Installing and removing low-profile boards	60
Opening the board retaining mechanism	60
Removing a slot cover.	61
Installing a board	62
Removing boards	62
Reinstalling a slot cover	63
Closing the board retaining mechanism	64
Installing and removing WLAN antennas	65
Installing WLAN antennas	65
Removing WLAN antennas	66
Installing a serial port	67
Installing and removing heat sinks	70
Removing the heat sink	70
Installing the heat sink	72
Mainboard expansions	73
Upgrading main memory	73
Processor, replacing	73
Replacing the lithium battery	74
Technical specification	75

Index **77**

Your ESPRIMO

... is available with various configuration levels which differ in terms of hardware and software equipment. You can install additional drives (for example a DVD drive) and other boards.

This manual tells you how to start using your device and how to operate it in daily use. This manual applies for all configuration levels. Depending on the chosen configuration level, some of the hardware components described may not be available on your PC. Please also read the notes about your operating system.

Depending on the configuration selected, the operating system is preinstalled on your hard disk (e.g. Windows).

Further information on this device is provided:






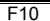
- in the "Quick Start Guide" poster
- in the "Safety/regulations" manual
- in the "Warranty" manual
- in the "BIOS Setup" manual
- in the operating manual for the monitor
- in the manual for the mainboard
- in your operating system documentation
- in the information files (e.g. *.PDF, *.HTML, *.DOC, *.CHM, *.TXT, *.HLP)

Validity of the Reference Manual

This reference manual applies to the following systems:

- FUJITSU Desktop ESPRIMO D556
- FUJITSU Desktop ESPRIMO D756, D757
- FUJITSU Desktop ESPRIMO D956, D957

Notational conventions

	Pay particular attention to text marked with this symbol. Failure to observe these warnings could pose a risk to health, damage the device or lead to loss of data. The warranty will be invalidated if the device becomes defective through failure to observe these warnings.
	Indicates important information for the proper use of the device.
	Indicates an activity that must be performed
	Indicates a result
This font	indicates data entered using the keyboard in a program dialogue or at the command line, e.g. your password (Name123) or a command used to start a program (start.exe)
This font	indicates information that is displayed on the screen by a program, e.g.: Installation is complete.
<i>This font</i>	indicates <ul style="list-style-type: none"> terms and texts used in a software interface, e.g.: Click on <i>Save</i> names of programs or files, e.g. <i>Windows</i> or <i>setup.exe</i>.
"This font"	indicates <ul style="list-style-type: none"> cross-references to another section, e.g. "Safety information" cross-references to an external source, e.g. a web address: For more information, go to "http://www.fujitsu.com/fts" Names of CDs, DVDs and titles or designations for other materials, e.g.: "CD/DVD Drivers & Utilities" or "Safety/Regulations" manual
	indicates a key on the keyboard, e.g: 
This font	indicates terms and texts that are emphasised or highlighted, e.g.: Do not switch off the device

Ports and operating elements

This chapter presents the individual hardware components of your device. This will provide you with an overview of the ports and operating elements on the device. Please familiarise yourself with these components before starting to work with your device.

Front

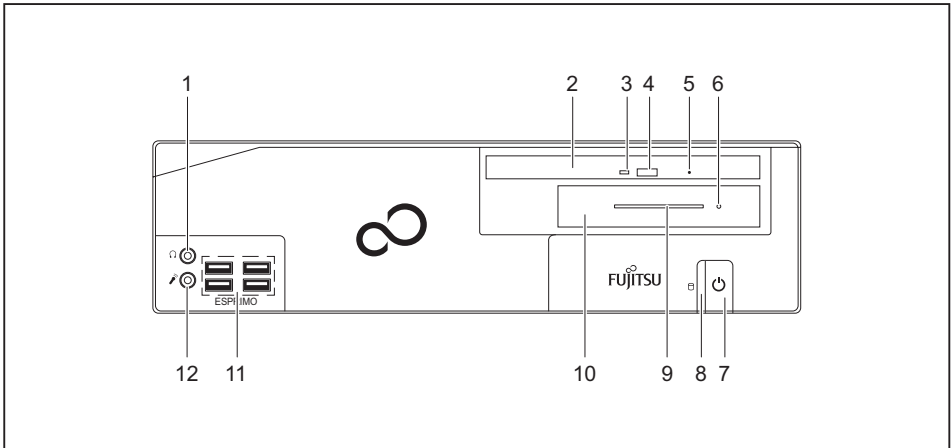
The device is available in 3 device variants:

- device variant with bays for a slimline drive and a 3½ inch drive
- device variant with bay for a slimline drive
- device variant with blanking plate

i

In the illustrations in the following chapter, the maximum configuration level is always shown, that is the device variant with a slimline drive and a 3½ inch drive. Any deviations between the individual device variants are separately indicated in the particular chapters.

Device variant with bays for a slimline drive and a 3½ inch drive (maximum configuration level)



1 = Headphone port

2 = Bay for slimline drive

3 = Slimline drive status indicator

4 = Slimline drive insert/eject button

5 = Slimline drive emergency removal

6 = 3½ inch drive status indicator, e.g. SmartCard reader

7 = ON/OFF switch with power indicator

8 = Hard disk indicator

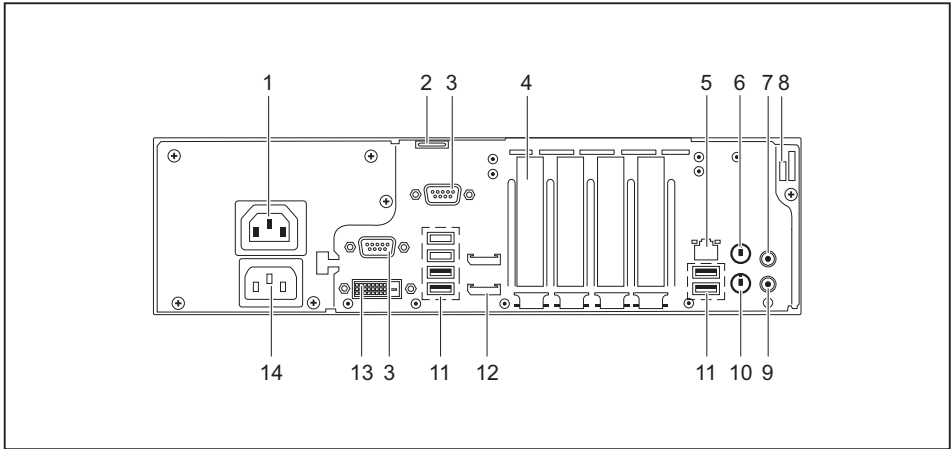
9 = Card slot on 3½ inch drive, e.g. SmartCard reader

10 = Bay for 3½ inch drive, e.g. SmartCard reader (external), hard disk (internal)

11 = USB ports

12 = Microphone port

Rear



- 1 = Monitor socket (optional)
- 2 = Eye for lead-seal or padlock (diameter 6 mm)
- 3 = Serial port (optional, above: 2nd optional)
- 4 = 4 slots for low-profile boards or port expansions (VGA, parallel port, eSATA)
- 5 = LAN port
- 6 = PS/2 mouse port
- 7 = Audio input (Line In), light blue
- 8 = Security lock device
- 9 = Audio output (Line Out), light green
- 10 = PS/2 keyboard port
- 11 = USB ports
- 12 = Display ports (above: 2nd optional)
- 13 = DVI-D monitor port
- 14 = Alternating voltage socket (AC IN)

Important notes

In this chapter you will find information regarding safety which it is essential to take note of when working with your device.

Safety information



Please note the information provided in the "Safety/regulations" manual and in the following safety notes.

When installing and operating the device, please observe the notes on environmental conditions in Chapter "[Technical specification](#)", [Page 75](#) as well as the instructions in Chapter "[Getting started](#)", [Page 13](#).

When setting up the device, make sure there is clearance all around it so that the casing receives enough ventilation. In order to avoid overheating, do not cover the ventilation areas of the monitor or the device.

You must only operate the device if the rated voltage used by the device is set to the local mains voltage.

The on/off switch does not disconnect the device from the mains voltage. To completely disconnect from the mains voltage, you must remove the mains plug from the mains socket.

Operate the device only with the casing closed.

Replace the lithium battery on the mainboard in accordance with the instructions in "[Replacing the lithium battery](#)", [Page 74](#).

Caution, components in the system can get very hot.

The activities described in these instructions must always be performed with the greatest care.

Repairs to the device must only be performed by qualified technicians. Incorrect repairs could put the user at great risk or cause serious damage to the equipment (electric shock, risk of fire).

Transporting the device



Transport all parts separately in their original packaging or in a packaging which protects them from knocks and jolts, to the new site.

Do not unpack them until all transportation manoeuvres are completed.

If the device is brought from a cold environment into the room where it will be used, condensation may occur. Before operating the device, wait until it is absolutely dry and has reached approximately the same temperature as the installation site.

Cleaning the device



Turn off all power and equipment switches and disconnect the power plug from the mains outlet.

Do not clean any interior parts yourself, leave this job to a service technician.

Do not use any cleaning agents that contain abrasives or may corrode plastic (alcohol, thinner or acetone).

Never clean the device with water! Water entering into the device could present a serious risk to users (e.g. electric shock).

Ensure that no liquid enters the system.

The surface can be cleaned with a dry cloth. If particularly dirty, use a cloth that has been moistened in mild domestic detergent and then carefully wrung out.

Use disinfectant wipes to clean the keyboard and the mouse.

Energy saving, disposal and recycling

You can find information on these subjects in the "Environment and Energy Information" manual or on our website (["http://www.fujitsu.com/fts/about/fts/environment-care/"](http://www.fujitsu.com/fts/about/fts/environment-care/)).

Getting started



Please observe the safety information in the ["Important notes", Page 11](#) chapter.

Unpacking and checking the delivery

It is recommended not to throw away the original packaging material! It may be required for reshipment at some later date.

- ▶ Unpack all the individual parts.
- ▶ Check the contents of the package for any visible damage caused during transport.
- ▶ Check whether the delivery conforms to the details in the delivery note.
- ▶ Should you discover that the delivery does not correspond to the delivery note, notify your local sales outlet immediately.

Steps for initial setup

Only a few steps are necessary to put your new device into operation for the first time:

- Select a location for device and set up device
- Connect external devices such as mouse, keyboard and monitor
- Check the voltage at the mains outlet and connect the device to an electrical outlet
- Switch the device on

You will learn more about the individual steps in the following sections.

External devices



If you have received other external devices in addition to your own device (e.g. a printer), do not connect these until after the initial installation. The following sections describe how to connect these external devices.

Drives and boards



If you have received drives or boards with your device, please do not install them until after first-time setup. How to install drives and boards is described in the ["System expansions", Page 32](#) chapter.

Setting up the device



When setting up your device, please read the recommendations and safety notes in the "Safety/regulations" manual.

We recommend that you place your device on a surface with good anti-slip qualities. In view of the multitude of different finishes and varnishes used on furniture, it is possible that the rubber feet will mark the surface they stand on.

Depending on the location of your device, bothersome vibrations and noises may occur. To prevent this, a distance of at least 10 mm / 0.39 in should be maintained from other devices on casing sides without ventilation surfaces.

In order to avoid overheating, do not cover the ventilation areas on the monitor or the device.

A minimum distance of 200 mm / 7.87 in from the device must be observed for ventilation areas.

Do not stack several devices on top of each other.

Do not expose the device to extreme ambient conditions (see ["Technical specification", Page 75](#), "Ambient conditions"). Protect the device against dust, humidity and heat.

Operating position

You can use the device in a vertical or horizontal operating position.

With the aid of suitable feet, it is possible to use the device in a vertical operating position (see ["Vertical operating position with feet \(optional\)", Page 14](#)).

Vertical operating position with feet (optional)



Use the optional feet when you wish to use the device in the vertical operating position.

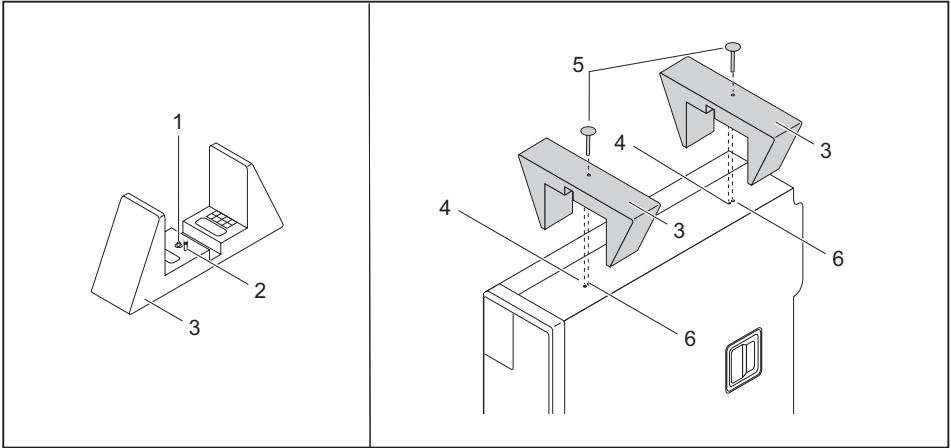
The set-up direction is compulsory: The ON/OFF switch must be at the top to ensure sufficient ventilation.



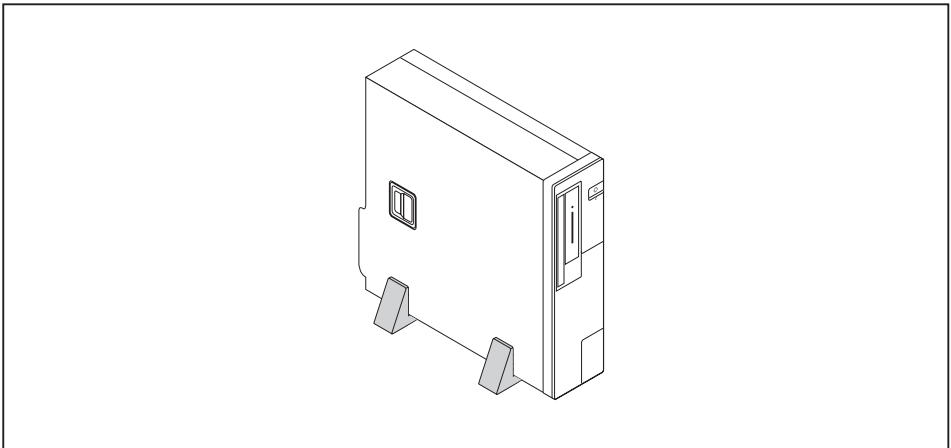
You must remove the feet again to be able to open the device.

Proceed as follows to operate the device in the vertical operating position with the feet:

- ▶ If necessary, disconnect the cables connected to the device.



- ▶ Place the device on the right side as shown.
- ↳ The screw holes (6) and guide openings (4) for securing the feet on the left side of the device point upwards.
- ▶ Place the feet (3) on the left side of the device so that the pins (2) enter into the corresponding guide openings (4) on the device and the screws rest against the screw holes (6).
- ▶ Tighten the screws to secure the feet.

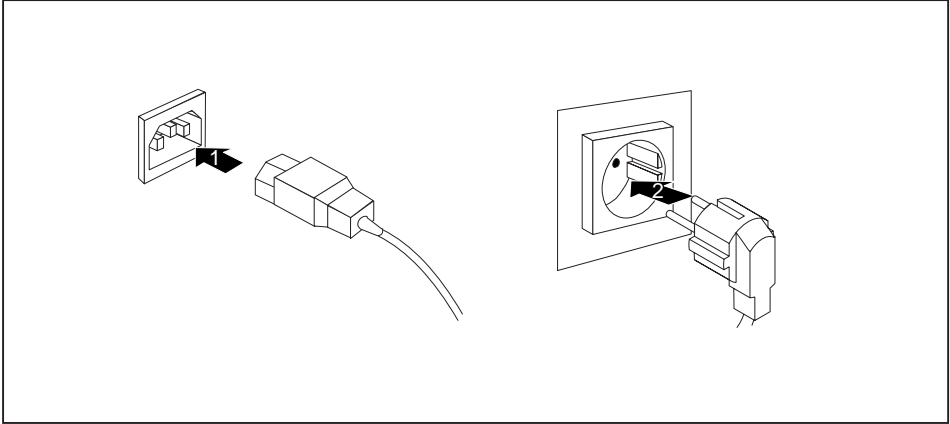


- ▶ Stand the device on the feet as shown.






Connecting the device to the mains supply



Use the following table to check which mains plug applies for your country. The following illustration may be different from your country variant.



- ▶ Connect the power cable to the device (1).
- ▶ Plug the power plug into a grounded mains outlet (2).

Power connection	Country
	USA, Canada, Mexico, parts of South America, Japan, Korea, the Philippines, Taiwan
	
	Russia and the Commonwealth of Independent States (CIS), large parts of Europe, parts of South America, the Middle East, parts of Africa, Hong Kong, India, large parts of South Asia.
	UK, Ireland, Malaysia, Singapore, parts of Africa
	China, Australia, New Zealand

Connecting external devices



Read the documentation on the external device before connecting it.

With the exception of USB devices, always remove all power plugs before connecting external devices!

Do not connect or disconnect cables during a thunderstorm.

Always take hold of the actual plug. Never unplug a cable by pulling the cable itself.

Ports on the device

The ports are located on the front and back of the device. The ports available on your device depend on the configuration level you have selected. The standard ports are marked with the symbols shown below (or similar). Detailed information on the location of the ports is provided in the manual for the mainboard.



Headphones, black or light green



Audio input (Line In), light blue



Microphone port, black or pink



Audio output (Line Out), light green



USB 3.1 - Universal Serial Bus, type A: blue, type C: black



USB 2.0 - Universal Serial Bus, type A, black



PS/2 mouse port, green



PS/2 keyboard port, purple



DVI-D monitor port

DP

DisplayPort



VGA monitor port, blue

LAN

LAN port



Serial port



Parallel port



Some of the connected devices require special drivers (see the documentation for the connected device).

Connecting a monitor



Only attach the monitor to your device when switched off.

Only use high-quality signal cables when connecting monitors.

- ▶ Follow the instructions contained in the monitor manual to prepare the monitor for operation (e.g. connecting cables).
- ▶ Connect the data cable of the monitor into the required monitor port of your device.



You may only then connect the mains cable of the monitor to the monitor socket of the device if the rated current of the monitor (e.g. 1,2 A - see documentation for the monitor) is less than the maximum permitted power output of the monitor socket of the device (e.g. 1,5 A - see type plate on the PC).

- ▶ Depending on the configuration level of your device, plug the monitor power cable into a grounded mains outlet or into the monitor socket on the device.

Connecting the mouse

You can connect a USB mouse or a PS/2 mouse to your device.

Connecting a USB mouse

- ▶ Connect the USB mouse to one of the USB ports on the device.

Connecting a PS/2 mouse



The PS/2 mouse is only detected by the device if you connect the mouse when the device is switched off and then switch the device on again.

- ▶ Connect the PS/2 mouse to the PS/2 mouse port of the device.
- ▶ Switch your device on again.

Connecting the keyboard

You can connect a USB keyboard or a PS/2 keyboard to your device.

Connecting a USB keyboard

Use the supplied keyboard cable only.

- ▶ Insert the flat rectangular USB plug of the keyboard cable into one of the device's USB ports.

Connecting a PS/2 keyboard

Use the supplied keyboard cable only.



The PS/2 keyboard is only detected by the device if you connect the keyboard when the device is switched off and then switch the device on again.

- ▶ Switch your device off.
- ▶ Plug the round plug of the keyboard cable into the keyboard port on the device.
- ▶ Switch your device on again.

Connecting external devices to the serial interface

External devices (e.g. a printer or scanner) can be connected to the serial port.

- ▶ Connect the data cable to the external device.
 - ▶ Connect the data cable to the corresponding serial interface.
- ↳ For an exact description of how to connect external devices to the corresponding port, please see the external device documentation.

Port settings



You can change the port settings (e.g. address, interrupt) in the *BIOS Setup*.

Device drivers



The devices connected to the serial interface require drivers. Your operating system already includes many drivers. If the required drive is missing, install it. The latest drivers are usually available on the Internet or will be supplied on a data carrier.

Connecting external devices to the USB ports

You can connect a wide range of external devices to the USB ports (e.g. printer, scanner, mouse or keyboard).



USB devices are hot-pluggable. This means you can connect and disconnect USB cables while your device is switched on.

Additional information can be found in the documentation for the USB devices.

- ▶ Connect the data cable to the external device.
- ▶ Connect the data cable to one of the USB ports on your device.

Device drivers



The external USB devices you connect to the USB ports usually require no driver of their own, as the required software is already included in the operating system. If the device requires separate software, please note the information in the manufacturer's manual.

Switching on for the first time: installing the software



Once the installation has been started the device must not be switched off, unless the installation has been completed.

During installation, the device may only be rebooted when you are requested to do so!

The installation will otherwise not be carried out correctly and the contents of the hard disk must be completely restored.



If the device is integrated into a network, the user and server details as well as the network protocol are required during the software installation.

Contact your network administrator if you have any questions about these settings.

When you switch on the device for the first time, the supplied software is installed and configured. Plan a reasonable amount of time for this, as this process must not be interrupted.

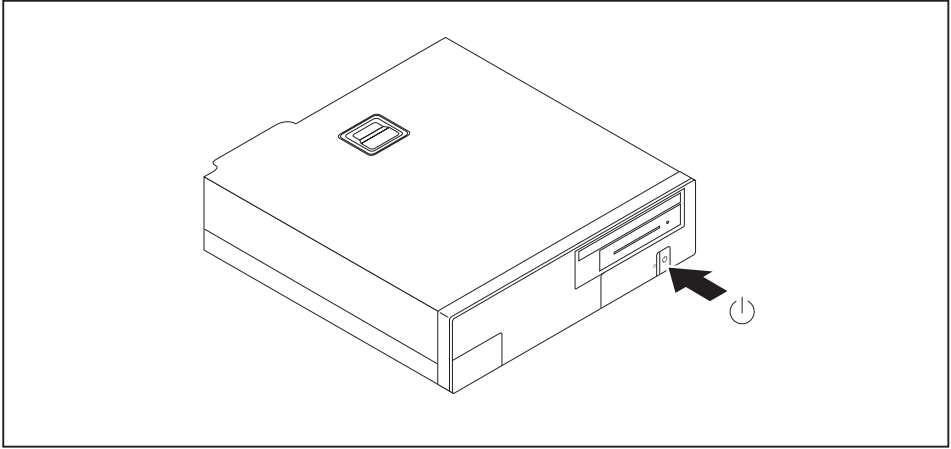
You may need the licence number for Windows during the installation. You can find the licence number as a label on your device (no longer applies to Windows 8 or higher).

Switch on the monitor and the machine



In order to avoid overheating, do not cover the ventilation areas on the monitor or the device.

- ▶ Switch on the monitor (see operating instructions for the monitor).



- ▶ Press the on/off button on the front of the machine.
- ↳ The operational display will light up and the machine will start.

Installing the software

- ▶ During installation, follow the on-screen instructions.
- ▶ If anything is unclear regarding the data you are asked to input, read the online Help in your operating system.



You will find more information on the system, as well as drivers, utilities and updates on the "Drivers & Utilities" DVD and on the Internet at ["http://www.fujitsu.com/fts/support"](http://www.fujitsu.com/fts/support).

You can find information and help on the Windows operating system functions on the Internet at ["http://windows.microsoft.com"](http://windows.microsoft.com).

Operation

Switch the device on

- ▶ If necessary, switch the monitor on (see the operating manual for the monitor).
- ▶ Press the ON/OFF switch on the front of the device.
- ↳ The power indicator glows and the device is started.

Switching off the device



Switching the device off does not disconnect it from the mains voltage. To completely disconnect the mains voltage, remove the power plug from the power socket.

- ▶ Shut down the operating system in the proper way.
- ↳ The device switches to power saving mode automatically and switches off.

Procedure in an emergency



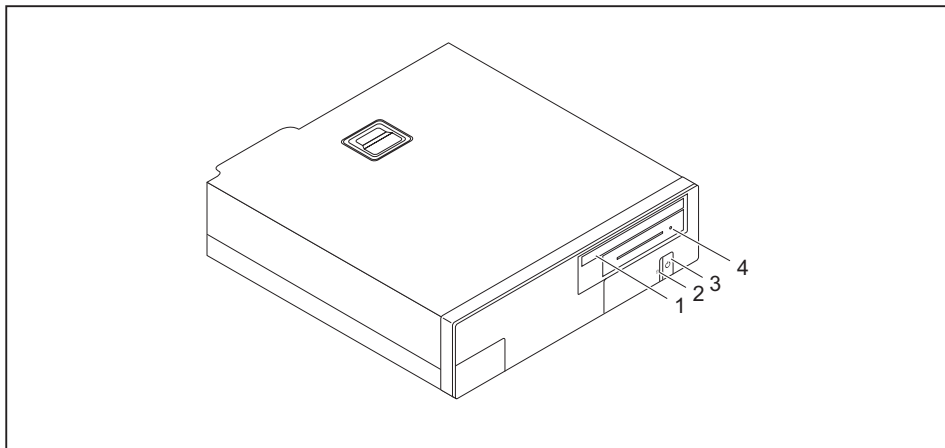
If the device cannot be switched off, you can force a shutdown by using the following emergency procedure.

Warning, this could lead to a loss of data!

- ▶ Press the ON/OFF switch for at least 4 seconds.
- ↳ The device will switch off.
When you next restart the device, error messages may be displayed due to the improper shutdown.

Indicators on the device

The indicators are on the front of the casing. Which indicators are available on your device depends on the configuration level you have selected.

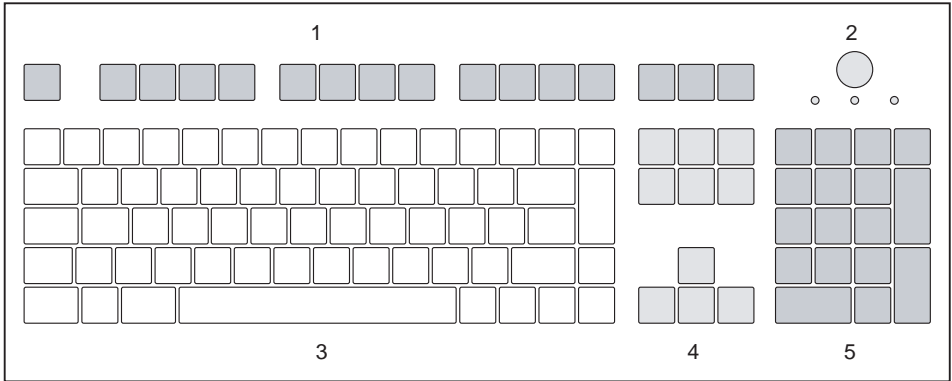


No.	Indicator	Description
1	Drive indicator (depending on device variant):	The indicator lights up when the CD-ROM or DVD drive in the device is accessed. Never under any circumstances remove the CD/DVD while the indicator is lit.
2	Hard disk indicator	The indicator lights up when the hard disk drive in the device is being accessed.
3	Power-on indicator	<p>Caution: In energy-saving mode, the device must not be disconnected from the mains supply, as this could lead to loss of data.</p> <ul style="list-style-type: none"> • The indicator is illuminated: The device is switched on. • The indicator is flashing: The device is in energy-saving mode. After being switched on with the ON/OFF switch, the device powers up or returns to the state it was in before it entered energy-saving mode. • The indicator is not lit: The device is switched off.
4	Indicator for optional components, e.g. SmartCard reader (depending on the device variant)	The indicator lights up when optional components, e.g. SmartCard reader, are accessed.

Keyboard



The illustrated keyboard is an example and may differ from the model you use.






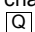

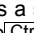





- 1 = Function keys
- 2 = On/off switch (optional)
- 3 = Alphanumeric keypad
- 4 = Cursor keys
- 5 = Numeric keypad (calculator keypad)

Important keys and keyboard shortcuts

The description of the following keys and keyboard shortcuts applies to Microsoft operating systems. Details of other keys and keyboard shortcuts can be found in the documentation for the relevant application program.

Key / key combination	Description
	<p>On/off switch (optional)</p> <p>Depending on the setting in the <i>BIOS Setup</i>, the device can be switched on or off with this switch. Some operating systems allow you to configure additional functions of the ON/OFF switch in the Control Panel.</p> <p>With some keyboards the ON/OFF switch can only be used with an ACPI (Advanced Configuration and Power Management Interface). Otherwise the key is inoperative. The mainboard must support this function.</p>
	<p>Enter key</p> <p>confirms the highlighted selection. The Enter key is also referred to as the "Return" key.</p>

Key / key combination	Description
	Windows key (device-dependent: variant 1) calls up the Windows <i>Start</i> menu.
	Menu key (device-dependent: variant 1) calls up the menu for the marked item (Windows).
	Windows key (device-dependent: variant 2) Switches between the start screen and the last used application.
	Menu key (device-dependent: variant 2) Opens the menu for the active application.
	Shift key enables upper-case letters and the upper key symbols to be displayed.
Alt Gr	Alt Gr key (country-dependent) produces a character shown on the bottom right of a key (e.g. the @ sign on the  key).
	Num Lock key By pressing the Num Lock key you switch between the upper- and lower-case levels of the calculator keypad. When the Num Lock indicator is lit the numeric keypad and arithmetic keys are active. When the Num Lock indicator is not lit the cursor control functions on the Numeric keypad are active.
Ctrl	Ctrl key performs a special operation when pressed in conjunction with another key. The  key is also called the "Control" or "Control key".
 +  + 	Windows Security/Task Manager This key combination opens the Windows Security/Task Manager window.

Settings in BIOS Setup

In *BIOS Setup*, you can set the system functions and the hardware configuration of the device. When the PC is delivered, the default entries are valid (see "BIOS Setup" manual or manual for the mainboard). You can customise these settings to your requirements in the *BIOS Setup*.

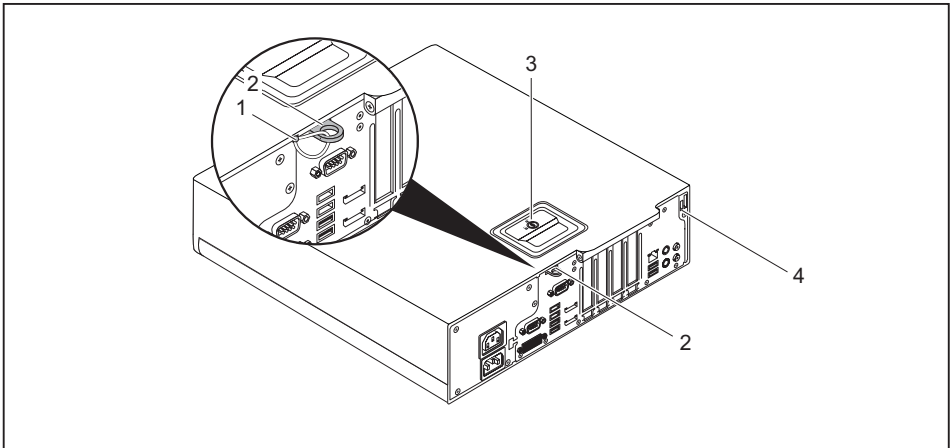
Property and data protection

Software functions and mechanical locking offer a broad range of functions for protecting your device and your personal data against theft and unauthorised access. You can also combine these functions.

Mechanically protecting and locking the casing

Your device has provision for a security lock (4). Using the security lock provision and the Kensington Lock cable (steel cable, accessory) you can protect your device against theft. Please consult the manual for your Kensington Lock.



To prevent unauthorised persons from opening the casing, the casing can be sealed (1) or it can be secured with a padlock. To do this, feed the sealing chain through the eye (2) and seal the chain with the lead seal. Alternatively, pass a suitable padlock through the eye (2).




- | | |
|---|---------------------------------|
| 1 = Lead seal | 3 = Casing lock (optional) |
| 2 = Eye for padlock / lead seal (diameter 6 mm) | 4 = Provision for security lock |

With the casing lock (3) you can mechanically lock the casing to prevent unauthorised persons from opening it. The keys can be found at the rear of your device.




- In addition to the casing lock, an open  and a closed lock  are also illustrated.
- Key turned towards the closed lock: The device is locked.
 - Key turned towards the open lock: The device is not locked.

Locking the casing

- Turn the key towards the closed lock .

Unlocking the casing

- ▶ Turn the key towards the open lock  .

BIOS setup security functions

The *Security* menu in *BIOS Setup* offers you various options for protecting your personal data against unauthorized access, e.g.:

- Prevent unauthorized access to *BIOS Setup*
- Prevent unauthorised system access
- Prevent unauthorised access to the settings of boards with their own BIOS
- Activate virus warnings
- Protect BIOS from overwriting
- Protect the device from being switched on by an external device

You can also combine these functions.

You will find a detailed description of the *Security* menus and how to assign passwords in the manual for the mainboard or in the "BIOS Setup" manual.

Access authorisation via SmartCard

In systems equipped with a SmartCard reader, access can be restricted to those users who have a corresponding SmartCard.

Operating the SmartCard reader (optional)



Operation of a SmartCard reader with a RFID reader is not permitted in Taiwan.

- ▶ Connect the external SmartCard reader to your system as described in the instructions for the SmartCard reader.
- ↳ After the device is switched on, you will be prompted to insert your SmartCard.

Problem solutions and tips



Refer to the safety notes in the "Safety/regulations" manual and in the ["Getting started", Page 13](#) chapter when connecting or disconnecting cables.

If a fault occurs, try to rectify it in accordance with the measures described in the following documents:

- in this chapter
- in the documentation relating to the peripheral devices
- in the Help sections for the individual programs
- in the documentation for the operating system in use.

Help if problems occur

Should you encounter a problem with your computer that you cannot resolve yourself:

- ▶ Note the ID number of your device. The ID number is found on the type rating plate on the back, the underside or the top of the casing.
- ▶ Contact the Service Desk responsible for your country for clarification of the problem: ["http://support.ts.fujitsu.com/contact/servicedesk"](http://support.ts.fujitsu.com/contact/servicedesk). When you do this, please have ready the ID number and serial number of your system.

Troubleshooting

Power-on indicator remains unlit after you have switched on your device

Cause	Troubleshooting
The mains voltage supply is faulty.	<ul style="list-style-type: none">▶ Check whether the power cable is plugged properly into the device and a grounded mains outlet.
Internal power supply overloaded.	<ul style="list-style-type: none">▶ Pull the power plug of the device out of the mains outlet.▶ Wait approx. 3 min.▶ Plug the power plug into a properly grounded mains outlet again.▶ Switch the device on.

The device cannot be switched off with the ON/OFF switch.

Cause	Remedy
System crash	<ul style="list-style-type: none"> ▶ Keep the on/off switch pressed for at least 4 seconds until the machine switches off. <p>Caution: This can lead to a loss of data!</p> <p>This procedure does not allow the operating system to shut down in an orderly way. The next time the system is started there may well be error messages.</p>

Monitor remains blank

Cause	Remedy
Monitor is switched off	<ul style="list-style-type: none"> ▶ Switch your monitor on.
Power saving has been activated (screen is blank)	<ul style="list-style-type: none"> ▶ Press any key on the keyboard. <p>or</p> <ul style="list-style-type: none"> ▶ Deactivate the screen saver. If necessary, enter the appropriate password.
Brightness control is set to dark	<ul style="list-style-type: none"> ▶ Adjust the brightness control. For detailed information, please refer to the operating manual supplied with your monitor.
Power cable not connected	<ul style="list-style-type: none"> ▶ Switch off the monitor and the device. ▶ Check that the monitor power cable is properly connected to the monitor and to a grounded mains outlet or to the monitor socket of the device. ▶ Check that the device power cable is properly plugged into the device and a grounded mains outlet. ▶ Switch on the monitor and the device.
Monitor cable not connected	<ul style="list-style-type: none"> ▶ Switch off the monitor and the device. ▶ Check that the monitor cable is properly connected to the device and monitor. ▶ Switch on the monitor and the device.
Incorrect setting for the monitor	<ul style="list-style-type: none"> ▶ Restart the system. ▶ Press [F8] while the system is booting. ▶ Start the system in Safe Mode. ▶ Set up the monitor as described in the documentation for your operating system and monitor.

No mouse pointer displayed on the screen

Cause	Remedy
The mouse is not correctly connected.	<ul style="list-style-type: none"> ▶ Shut down your operating system in the proper manner, for instance using Ctrl + Alt + Del. ▶ Switch the device off. ▶ Check that the mouse cable is properly connected to the system unit. If you use an adapter or extension lead with the mouse cable, check the connections. ▶ Make sure that only one mouse is connected. ▶ Switch the device on.
Disabled USB ports	<ul style="list-style-type: none"> ▶ In the <i>BIOS Setup</i>, check whether the USB ports are <i>Enabled</i> (see the "BIOS Setup" manual or the mainboard manual)

Time and/or date is not correct

Cause	Remedy
Time and date are incorrect.	<ul style="list-style-type: none"> ▶ Set the correct time and date within the operating system you are using. <p>or</p> <ul style="list-style-type: none"> ▶ Set the correct time and/or date in the <i>BIOS Setup</i>.
The lithium battery is discharged.	<ul style="list-style-type: none"> ▶ If the time and date are repeatedly wrong when you switch on your device, replace the lithium battery (see "Replacing the lithium battery", Page 74).

SmartCard reader is not recognised.

Cause	Troubleshooting
Chip card inserted incorrectly.	<ul style="list-style-type: none"> ▶ Make sure you have inserted your SmartCard into the SmartCard reader with the chip facing upwards. ▶ Check whether the SmartCard you are using is supported. Your SmartCard must comply with the ISO standard 7816-1, -2, -3 and -4.

SmartCard PIN forgotten

Cause	Troubleshooting
PIN forgotten	<ul style="list-style-type: none"> ▶ If you are working in a network, contact your system administrator, who can unlock your system with a Supervisor PIN.

Error messages on the screen

Error messages and their explanations are provided:

- in the technical manual for the mainboard
- in the documentation for the programs used

Installing new software

When installing programs or drivers, important files may be overwritten and modified. To be able to access the original data in the event of any problems following installation, you should backup your hard disk prior to installation.

Restoring the hard disk contents

You will find the instructions for restoring the contents of the hard disk in the "Recovery Guide" manual.

Tips

Topic	Tip
Out of system resources	<ul style="list-style-type: none"> ▶ Close unnecessary applications. <p>or</p> <ul style="list-style-type: none"> ▶ Run the applications in a different order.
Other manuals	Further manuals are provided as PDF files on the "Drivers & Utilities" DVD.

System expansions



Repairs to the device must only be performed by qualified technicians. Incorrect repairs may greatly endanger the user (electric shock, fire risk) and will invalidate your warranty.

After consulting the Hotline/Help Desk, you may remove and install the components described in this manual yourself.



As the device has to be shut down in order to install/deinstall system hardware components, it is a good idea to print out the relevant sections of this chapter beforehand.

The following illustrations may differ slightly from your device, depending on its configuration level.

If further documentation was delivered with your device, please also read this through carefully.

In addition, before removing or installing system components, please pay attention to the following:



The device must be switched off when installing/removing the system expansions and may not be in energy-saving mode.

Remove the power plug before opening the device.

Be careful that no wires become trapped when removing or installing components.

When installing components that become very hot, make sure that the maximum permissible temperature of the components in operation is not exceeded.



An update of the BIOS may be required for a system expansion or hardware upgrade. Further information can be found in the BIOS help section or if necessary in the Technical Manual for the mainboard.

Information about boards

Take care with the locking mechanisms (catches and centring pins) when you are replacing boards or components on boards.

Note that some components on the mainboard may be very hot if the device was in use shortly before the casing was removed.

To prevent damage to the board or the components and conductors on it, please take care when you insert or remove boards. Make sure expansion boards are inserted straightly.

Never use sharp objects (screwdrivers) for leverage.



Boards with electrostatic sensitive devices (ESD) are identifiable by the label shown.

When handling boards fitted with ESDs, you must always observe the following points:

- You must always discharge static build up (e.g. by touching a grounded object) before working.
- The equipment and tools you use must be free of static charges.
- Only touch or hold the boards by the edge or, if present, at the areas marked green (Touch Points).
- Never touch pins or conductors on boards fitted with ESDs.

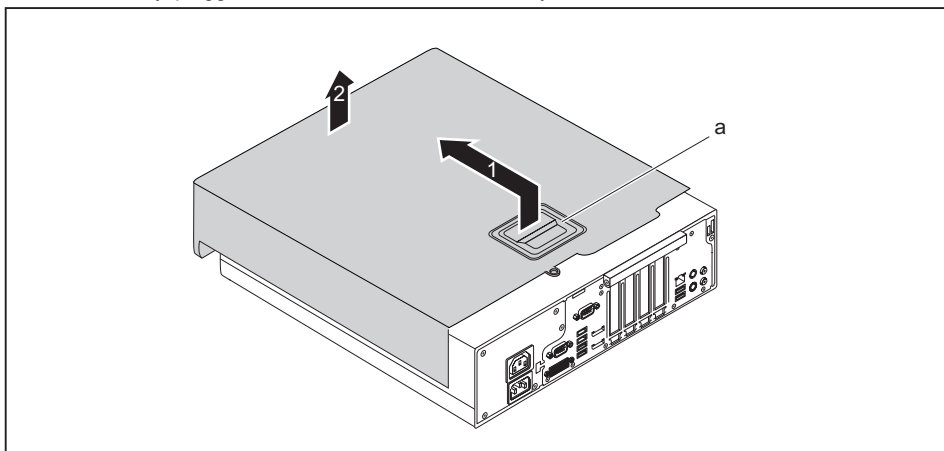
Removing the casing cover

- ▶ Switch the device off.



The device must not be in the energy-saving mode!

- ▶ If there is a foot installed, remove it.
- ▶ Remove any plugged-in wires which are in the way.

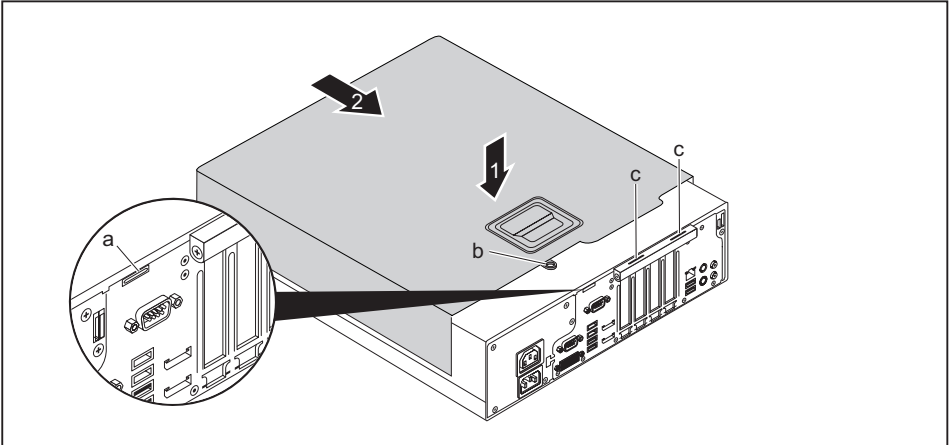


- ▶ Raise the clip (a), hold it in this position and pull the casing cover in the direction of the arrow (1).
- ▶ Lift the casing cover off the casing (2).

Reattaching the casing cover.

i

In order to make it easier to put on the casing cover, there are two reference lines (c) imprinted on the board clip, which will assist you when positioning.



- ▶ Place the casing cover onto the casing (1) using the reference lines (c) for positioning and slide the casing cover in the direction of the arrow (2) until it reaches a stop. When doing so, make sure that the eye (b) fits into the opening (a).
- ↳ The casing cover will click into place automatically, without any need to move the retaining mechanism.
- ▶ Connect the cables to the device.

Overview of drive bays and drives in your device

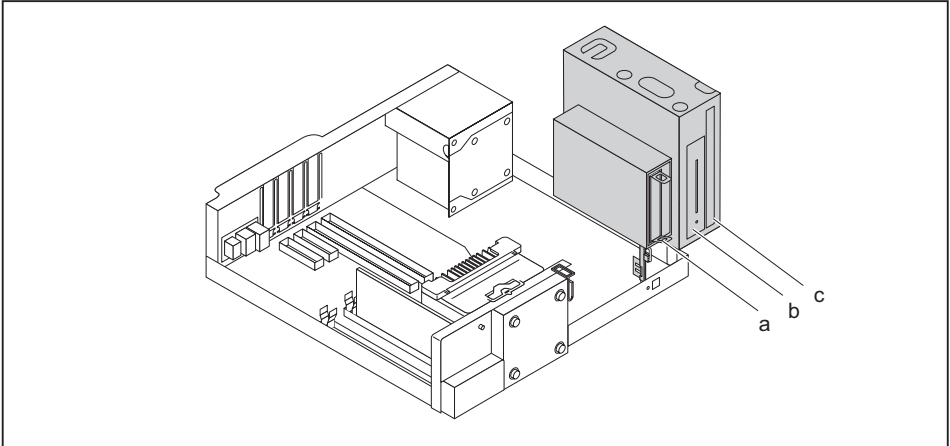
Depending on the device variant, the casing offers space for accessible and non-accessible drives in the 3 bays.



Examples of accessible drives are DVD or CD ROM drives, into which a data medium can be inserted from the outside. Examples of non-accessible drives are hard disk drives.

Furthermore, the installation options depend on the particular drive cover being used, see ["Changing the drive cover", Page 37.](#)

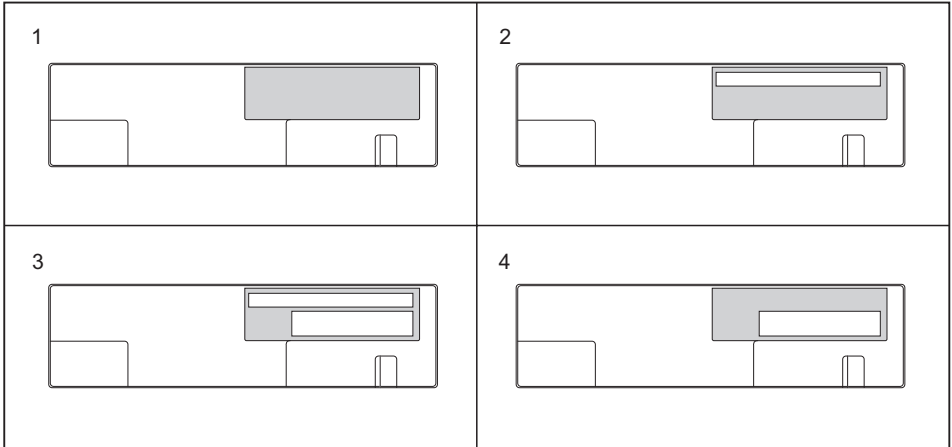
Casing with drive cover removed and drive cage opened:



No.	Bay	Fixing	Installation options in bay
a	Lower bay for non-accessible 3½ inch drives or 2½ inch drives	EasyChange rails or screw fastening	<ul style="list-style-type: none"> • 1 x non-accessible 3½ inch drive, EasyChange • 2 x non-accessible 2½ inch drives with 3½ inch adapter, EasyChange • 1 x non-accessible 2½ inch drive, screw fastening
b	Middle bay for 3½ inch drives or non-accessible 2½ inch drives with 3½ inch adapter	Screw fastening	<ul style="list-style-type: none"> • 1 x accessible 3½ inch drive • 1 x non-accessible 3½ inch drive • 2 x non-accessible 2½ inch drives, with 3½ inch adapter
c	Upper bay for an accessible slimline drive	Drive plate (screwless)	1 x slimline drive

Changing the drive cover

Depending on the desired drive configuration level of your device, there are 4 different drive covers available: When an accessible drive is ordered, the required drive covers will be supplied with it.



1 = No slimline drive can be installed,
non-accessible drives possible
under the cover

2 = Slimline drive can be installed,
non-accessible drives possible
under the cover

3 = Slimline drive and accessible 3½ inch
drive can be installed

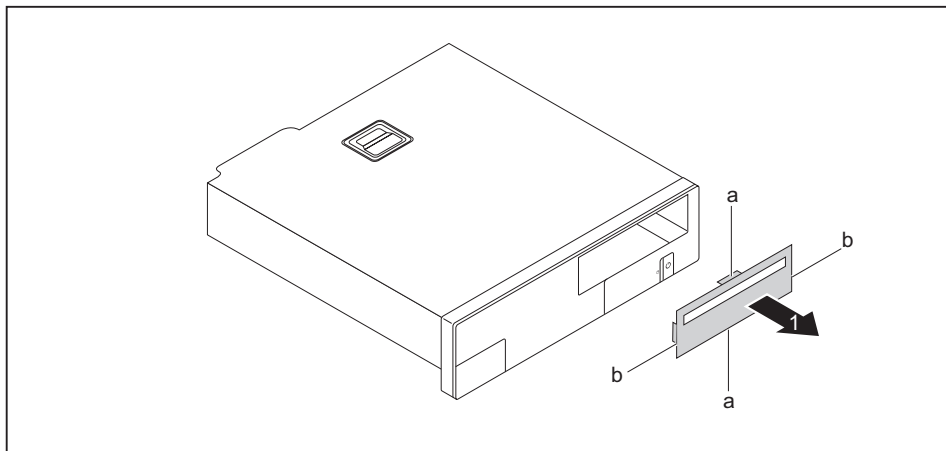
4 = Accessible 3½ inch drive can be installed

Proceed as follows to replace a drive cover with another drive cover:

- ▶ Remove the casing cover (see chapter "[Removing the casing cover](#)", Page 34).



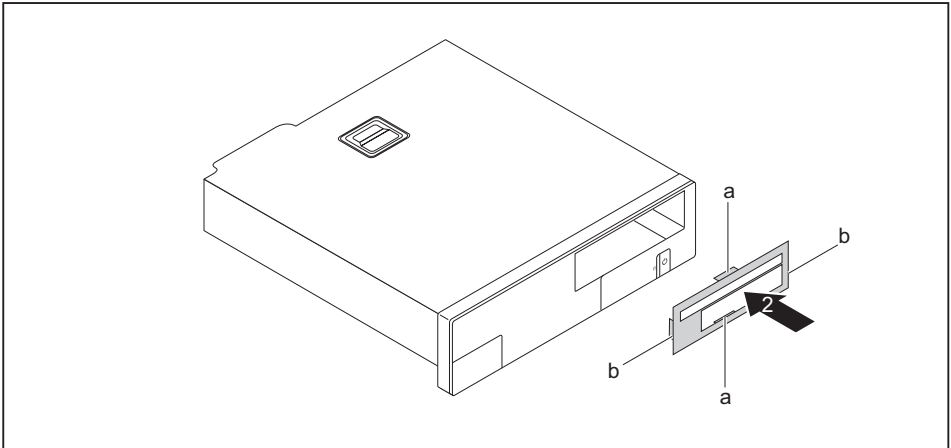
The catches of the drive cover are on the inside.



- ▶ First release the two middle catches (a).
- ▶ Then release the two side catches (b).
- ▶ Remove the drive cover towards the front (1).



Do not discard the filler panel. Depending on the desired configuration level, you must reinstall the filler panel for cooling, protection against fire and in order to comply with EMC (electromagnetic compatibility) regulations (see ["Removing a slimline drive", Page 43](#)).



- ▶ Insert the new drive cover into the casing cover from the front. In doing so, make sure that all the inner catches that are present engage (a, b).
- ▶ Change the desired drives as required, as described in the corresponding chapter.
- ▶ Fit the casing cover onto the casing again (see chapter ["Reattaching the casing cover.", Page 35](#)).

Installing and removing an accessible slimline drive in the upper bay (optional)

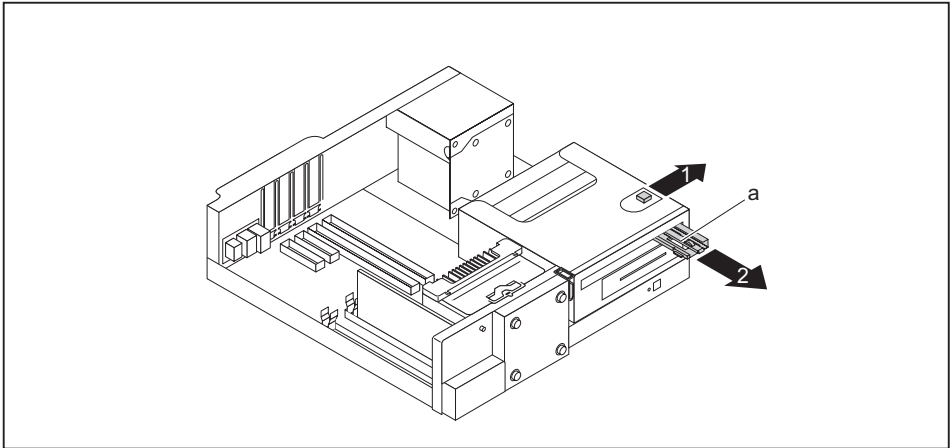
Installing the drive plate for the slimline drive

To use the locking function of the accessible slimline drive, you must fit the associated drive plate on the slimline drive before installing the drive in the casing. Proceed as follows:

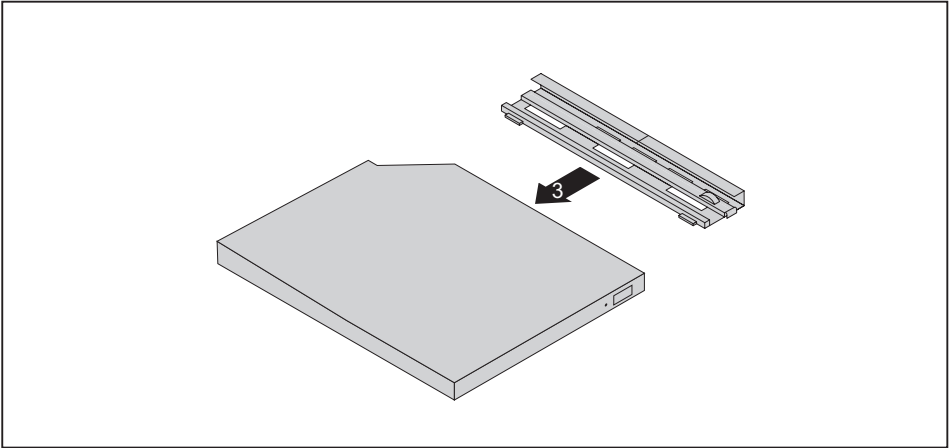


The drive plate is located in the upper bay for the slimline drive.

- ▶ Remove the casing cover (see Chapter ["Removing the casing cover", Page 34](#)).



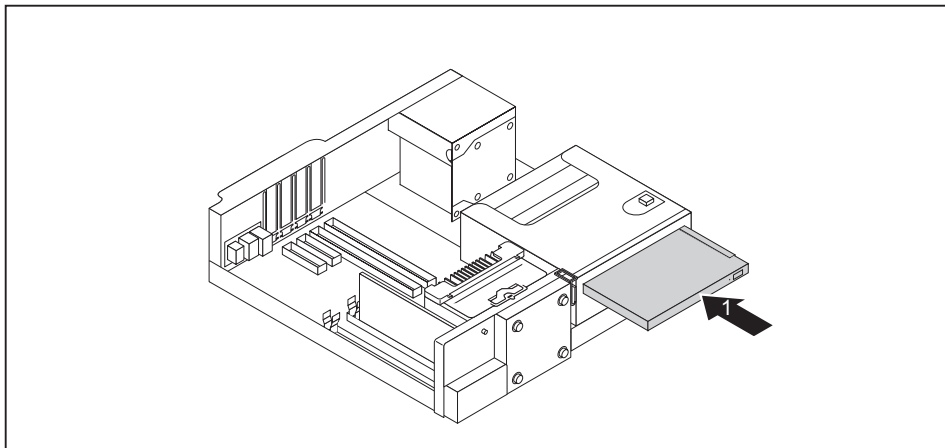
- ▶ Press the clip in the direction of the arrow (1).
- ▶ Remove the drive plate (a) from the upper bay (2).



- ▶ Secure the drive plate on the slimline drive as shown (3).

Installing a slimline drive

- The drive plate is attached to the slimline drive (see chapter ["Installing the drive plate for the slimline drive"](#), Page 40).
- A suitable drive cover is mounted (see chapter ["Changing the drive cover"](#), Page 37).



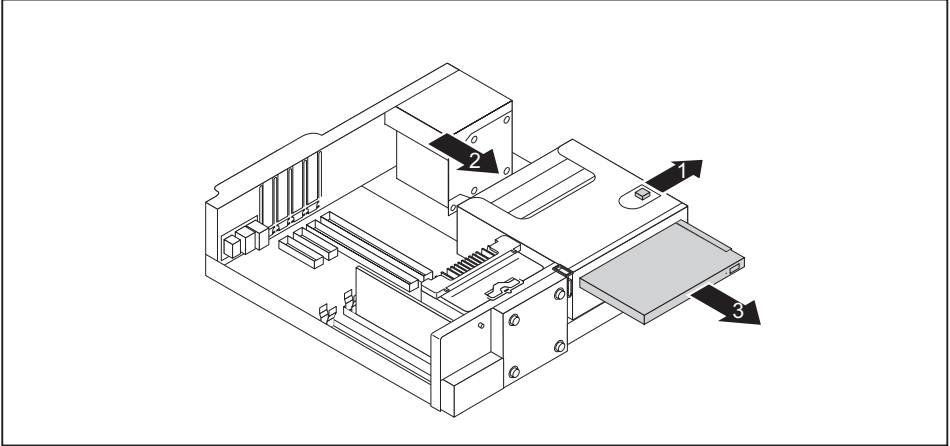
- ▶ Slide the slimline drive into its bay in the direction of the arrow (1) until it engages in place.
- ▶ Connect the cables to the slimline drive and to the mainboard. Make sure the polarity is correct.
- ▶ Fit the casing cover back onto the casing (see Chapter ["Reattaching the casing cover."](#), Page 35).



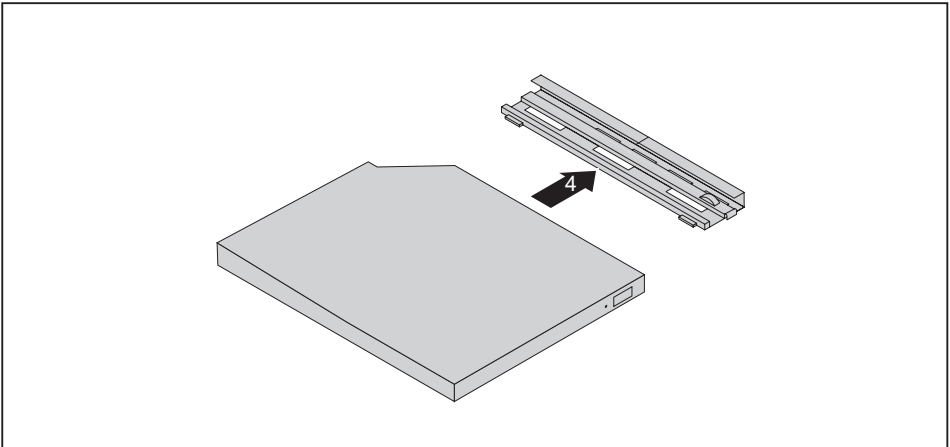
If necessary, you must adjust the entry for the drive accordingly in the *BIOS Setup*.

Removing a slimline drive

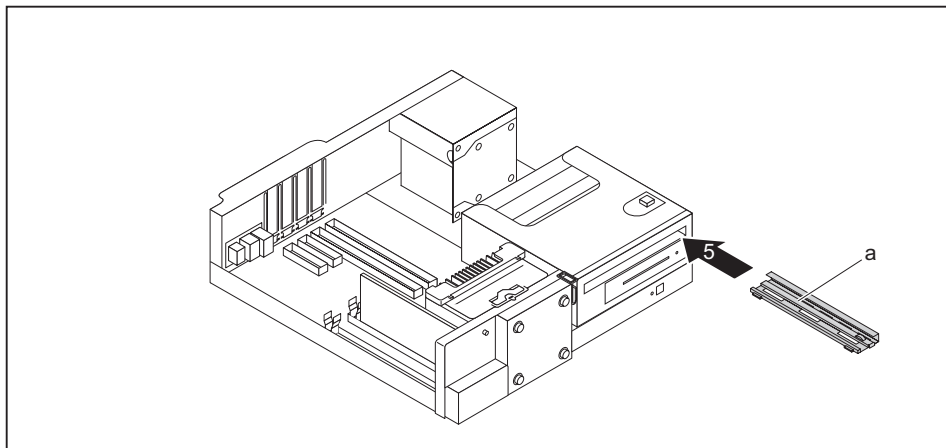
- ▶ Remove the casing cover (see Chapter ["Removing the casing cover"](#), Page 34).
- ▶ Disconnect the cables connected to the slimline drive.



- ▶ Press the clip in the direction of the arrow (1).
- ▶ Push the slimline drive a few centimetres out of the bay in the direction of the arrow (2).
- ▶ Pull the slimline drive completely out of the bay in the direction of the arrow (3).



- ▶ Detach the drive plate from the slimline drive (4).



- ▶ Slide the drive plate (a) into the upper bay (5) again as shown, until it engages.



It is essential to ensure that the drive plate is installed in the correct installation direction (see illustration).

- ▶ If you are not installing a new slimline drive, change the drive cover (see chapter ["Changing the drive cover", Page 37](#)).
- ▶ Fit the casing cover back onto the casing (see Chapter ["Reattaching the casing cover.", Page 35](#)).



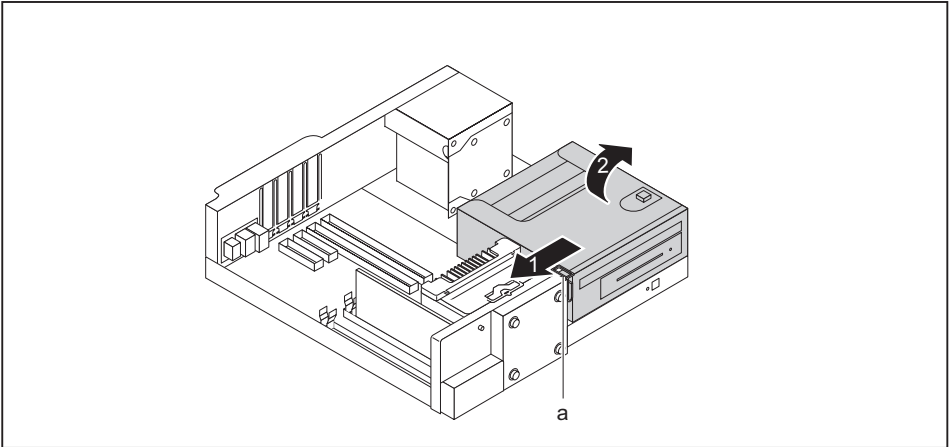
If necessary, you must adjust the entry for the drive accordingly in the *BIOS Setup*.

Opening and closing the drive cage

To be able to install and remove drives in the middle and lower bays, it is necessary to fold the drive cage upwards.

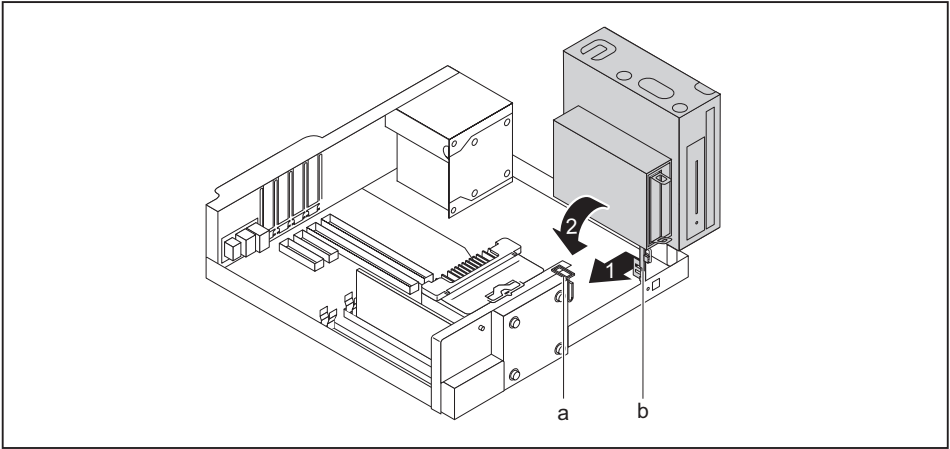
Opening the drive cage

- ▶ Remove the casing cover (see chapter ["Removing the casing cover", Page 34](#)).



- ▶ Press the release (a) in the direction of the arrow (1).
- ▶ Fold the drive cage fully open (2) until it locks in place.

Closing the drive cage



- ▶ Gently press the upright bracket (b) of the drive cage in the direction of the arrow (1) until you can move the drive cage.



When closing the drive cage, take care that no cables become trapped and that the release catch (a) of the drive cage engages again.

- ▶ Fold the drive cage in the direction of the arrow (2).
- ▶ Fit the casing cover onto the casing again (see chapter "[Reattaching the casing cover.](#)", Page 35).

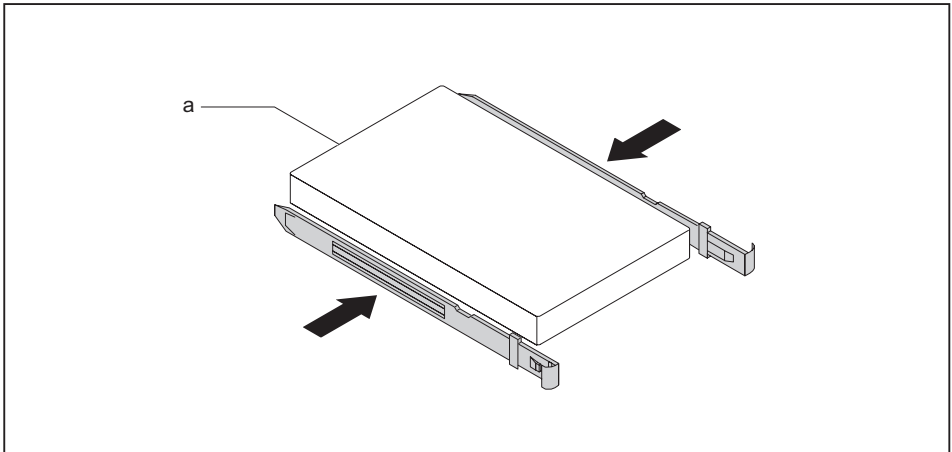
Installing and removing 2½ inch drives in a 3½ inch adapter

You can install two non-accessible 2½ inch drives with a 3½ inch adapter in the lower and middle bays.

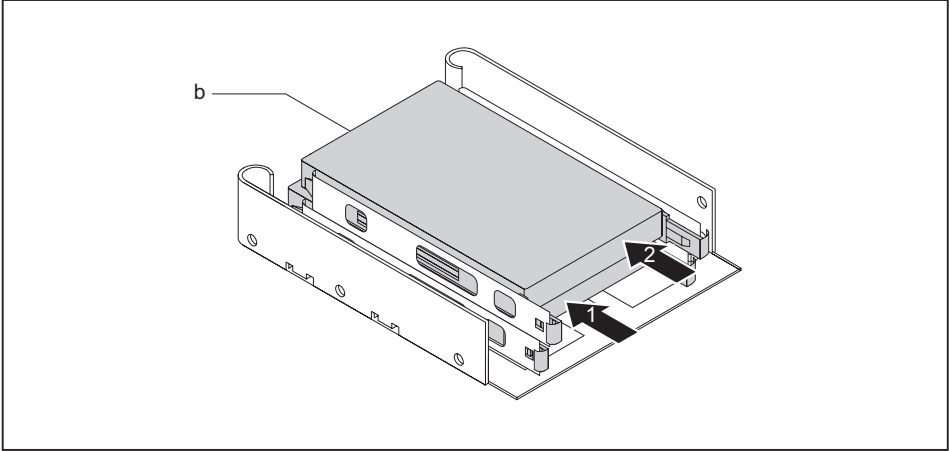
Installing 2½ inch drives in a 3½ inch adapter

i

EasyChange rails for both drives are in the adapter.

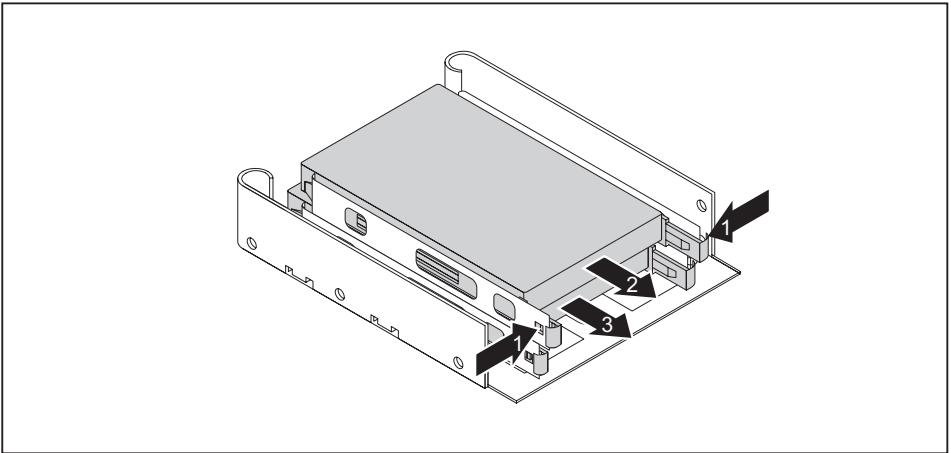


- ▶ Fasten the EasyChange rails to the side of the first drive by inserting each pin of the EasyChange rail in the corresponding holes on the drive. In doing so, make sure that the ports on the drive are located at the rear as shown (a).
- ▶ Repeat the step for the second drive.

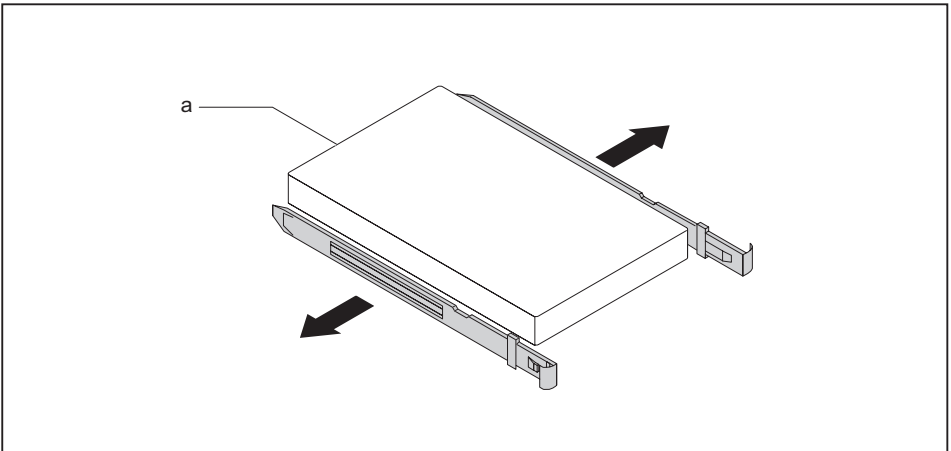


- ▶ Slide the drives with the EasyChange rails one after the other into the adapter (1, 2). In doing so, make sure that the component side of the drives point down towards the adapter and the ports on the drives are located at the rear as shown (b).

Removing 2½ inch drives from a 3½ inch adapter



- ▶ Press the EasyChange rails on the drives slightly together (1) and pull the drives with the EasyChange rails one after the other out of the adapter (2, 3).



- ▶ Pull the EasyChange rails off the first drive.
- ▶ Repeat the step for the second drive.
- ▶ If you no longer need the EasyChange rails, secure them again at their location in the adapter.

Installing and removing drives in the lower bay (optional)

In the lower bay you can install a non-accessible 3½ inch drive, two non-accessible 2½ inch drives with a 3½ inch adapter or a non-accessible 2½ inch drive.

Depending on the type of drive, fixing to the casing is either by EasyChange rails or by screw fastening.

Installing and removing a 3½ inch drive or a 3½ inch adapter

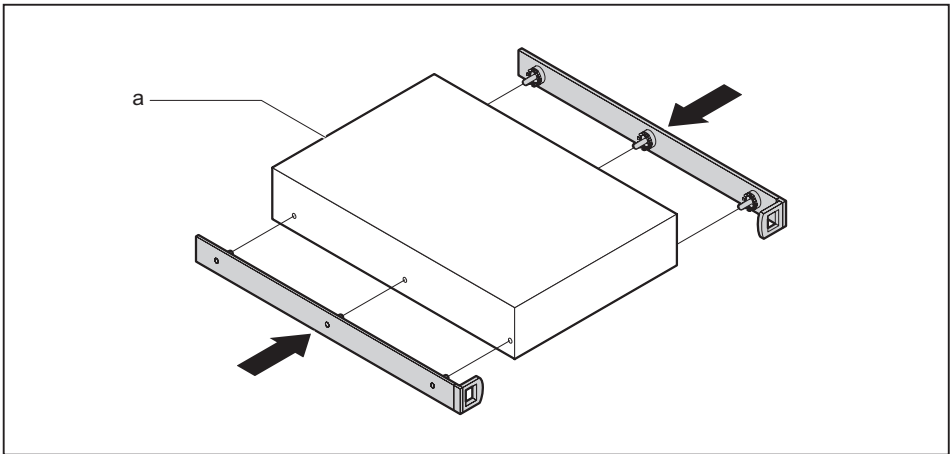
The following procedure describes installation and removal using the example of a 3½ inch drive. The approach is the same for all variants. Any differences are indicated accordingly.

Installing a drive

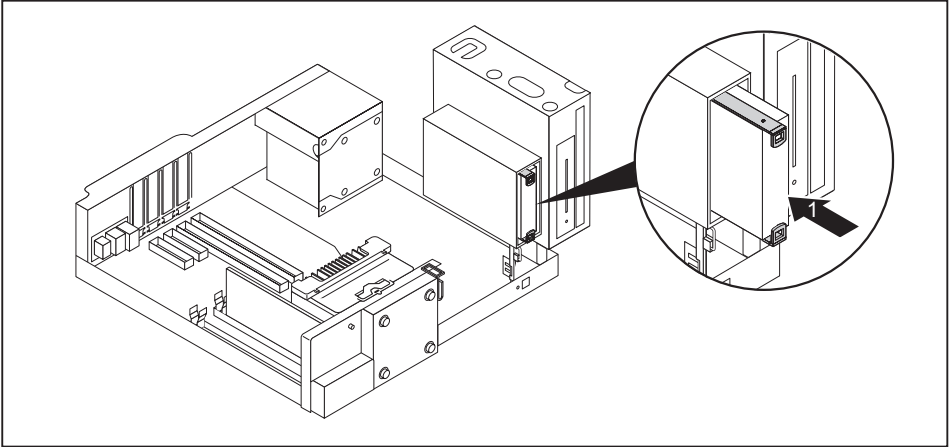
- ▶ Remove the casing cover (see Chapter ["Removing the casing cover", Page 34](#)).
- ▶ Fold out the drive cage (see chapter ["Opening the drive cage", Page 45](#)).



EasyChange rails for the drive are located in the lower bay.



- ▶ Fasten the EasyChange rails to the side of the drive or adapter by inserting each pin of the EasyChange rail in the corresponding holes on the drive. In doing so, make sure that the ports on the drive are located at the rear as shown (a).



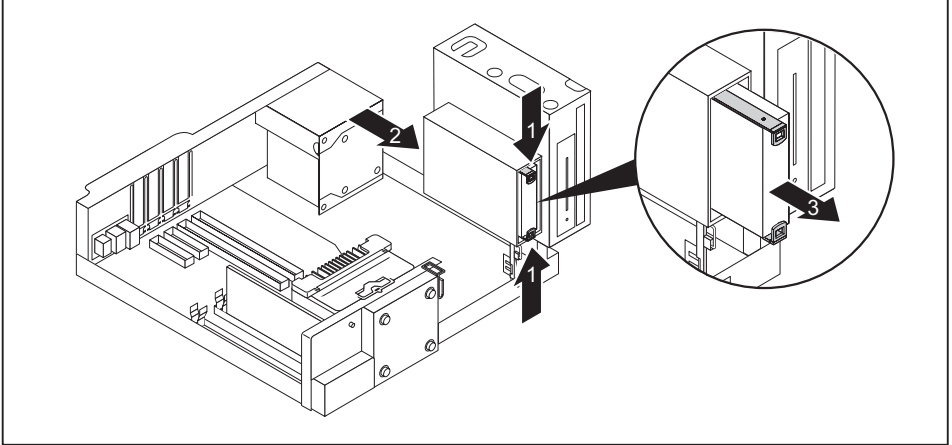
- ▶ Slide the drive with the EasyChange rails into the bay (1). Check that the component side of the drive faces downwards towards the base of the casing (with the drive cage closed).
- ▶ Connect the cables at the drive and at the mainboard. Make sure the polarity is correct.
- ▶ Fold the drive cage into the closed position again (see chapter ["Closing the drive cage"](#), Page 46).
- ▶ Fit the casing cover back onto the casing (see Chapter ["Reattaching the casing cover."](#), Page 35).



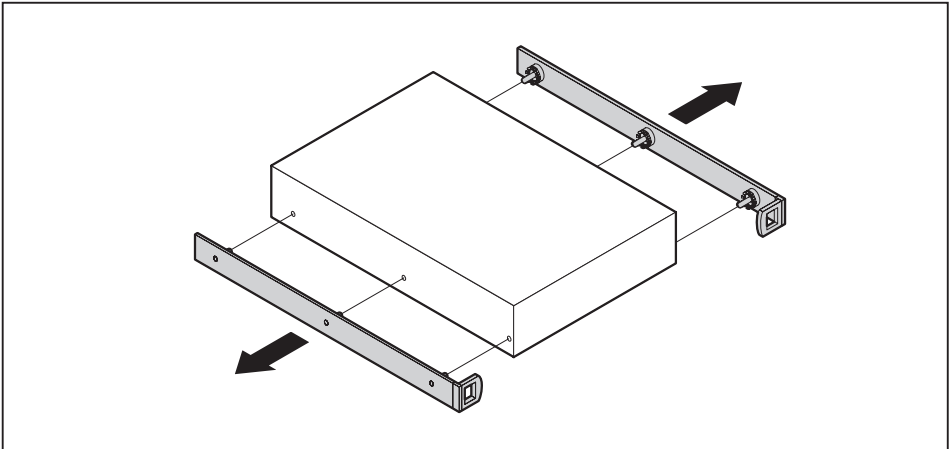
If necessary, you must adjust the entry for the drive accordingly in the *BIOS Setup*.

Removing a drive

- ▶ Remove the casing cover (see Chapter ["Removing the casing cover", Page 34](#)).
- ▶ Fold out the drive cage (see chapter ["Opening the drive cage", Page 45](#)).
- ▶ Disconnect any cables connected to the drive.



- ▶ Slightly press together the EasyChange rails on the drive (1).
- ▶ Push the drive a few centimetres out of the bay in the direction of the arrow (2).
- ▶ Pull the drive completely out of the bay in the direction of the arrow (3).



- ▶ Pull the EasyChange rails off the drive.
- ▶ If you no longer need the EasyChange rails, secure them again in the lower bay.
- ▶ Fold the drive cage into the closed position again (see chapter ["Closing the drive cage", Page 46](#)).
- ▶ Fit the casing cover back onto the casing (see Chapter ["Reattaching the casing cover.", Page 35](#)).

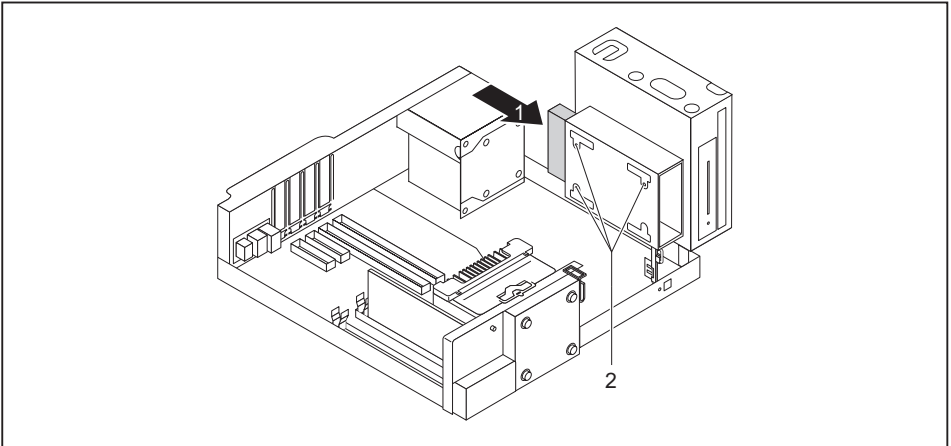
i

It may be necessary to modify the entry for the drive in the *BIOS Setup*.

Installing and removing a 2½ inch drive (screw fastened)

Installing a drive

- ▶ Remove the casing cover (see chapter ["Removing the casing cover", Page 34](#)).
- ▶ Fold out the drive cage (see chapter ["Opening the drive cage", Page 45](#)).



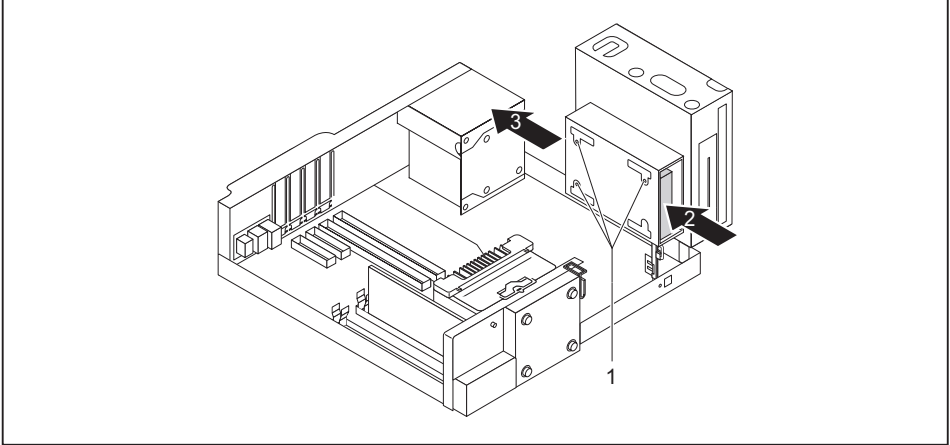
- ▶ Slide the drive into the bay (1).
- ▶ Secure the drive with the screws (2).
- ▶ Connect the cables at the drive and at the mainboard. Make sure the polarity is correct.
- ▶ Fold the drive cage into the closed position again (see chapter ["Closing the drive cage", Page 46](#)).
- ▶ Fit the casing cover onto the casing again (see chapter ["Reattaching the casing cover.", Page 35](#)).

i

If necessary, you must adjust the entry for the drive accordingly in the *BIOS Setup*.

Removing a drive

- ▶ Remove the casing cover (see chapter ["Removing the casing cover", Page 34](#)).
- ▶ Fold out the drive cage (see chapter ["Opening the drive cage", Page 45](#)).
- ▶ Disconnect any cables that are connected to the drive.



- ▶ Undo the screws (1).
- ▶ Push the drive a few centimetres out of the bay in the direction of the arrow (2).
- ▶ Pull the drive completely out of the bay in the direction of the arrow (3).
- ▶ Fold the drive cage into the closed position again (see chapter ["Closing the drive cage", Page 46](#)).
- ▶ Fit the casing cover onto the casing again (see chapter ["Reattaching the casing cover.", Page 35](#)).



If necessary, you must adjust the entry for the drive accordingly in the *BIOS Setup*.

Installing and removing drives in the middle bay (optional)

In the middle bay you can either install one 3½ inch or two 2½ inch drives using a 3½ inch adapter. Accessible drives here are for example SmartCard or Multicard readers. Non-accessible drives are hard disks or SSDs.

Fixture in the casing is always using screws.

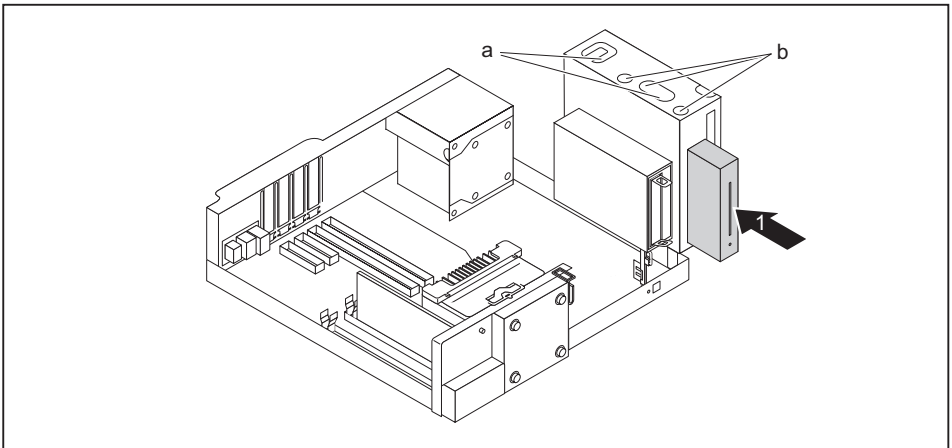


Operation of a SmartCard reader with a RFID reader is not permitted in Taiwan.

The following procedure describes installation and removal using the example of a Multicard reader. The approach is the same for all variants. Any differences are indicated accordingly.

Installing a 3½ inch drive

- The casing cover is removed (see chapter ["Removing the casing cover", Page 34](#)).
- A suitable drive cover is mounted (see chapter ["Changing the drive cover", Page 37](#)).
- ▶ Fold out the drive cage (see chapter ["Opening the drive cage", Page 45](#)).



- ▶ When installing 2.5" HDDs/SSDs or a SmartCard reader: Connect the cables to the drive before you slide it into the bay.



On the multicard reader, one end of the cable is already fixed to the reader.

- ▶ Slide the drive into the bay (1).

i

The screw positions are different for non-accessible drives and accessible drives:

- sheet metal stamping 1 (in illustration: b) valid for accessible drives (Multicard/SmartCard reader).
- sheet metal stamping 2 (in illustration a) valid for non-accessible drives (HDDn/SSDn, also in adapter).

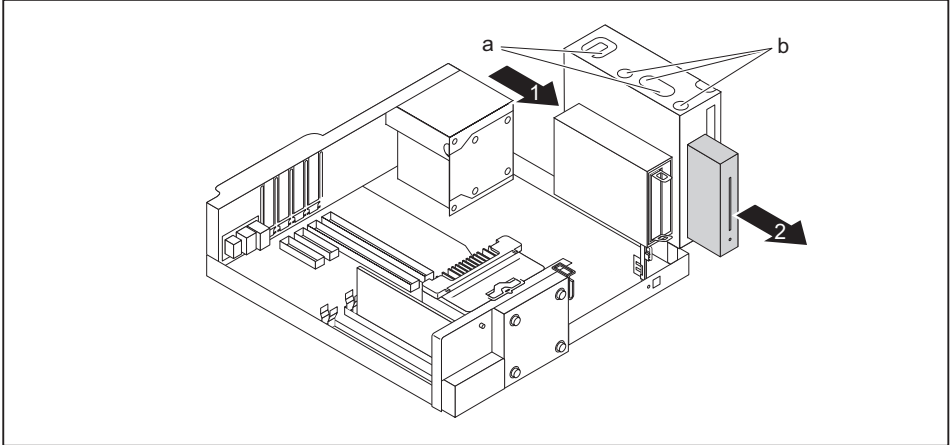
- ▶ Secure the drive with the screws (a or b, depending on the type of drive).
- ▶ When installing a 3½ inch hard disk: Connect the cables to the drive. Make sure the polarity is correct.
- ▶ Connect the other end of the cable to the corresponding USB port or SATA port of the mainboard.
- ▶ Fold the drive cage into the closed position again (see chapter "[Closing the drive cage](#)", [Page 46](#)).
- ▶ Fit the casing cover onto the casing again (see chapter "[Reattaching the casing cover](#)", [Page 35](#)).

i

If necessary, you must adjust the entry for the drive accordingly in the *BIOS Setup*.

Removing a 3½ inch drive

- ▶ Remove the casing cover (see Chapter ["Removing the casing cover", Page 34](#)).
- ▶ Fold out the drive cage (see Chapter ["Opening the drive cage", Page 45](#)).
- ▶ Disconnect any cables connected to the drive.



- ▶ Undo the screws (a or b, depending on the type of drive).
- ▶ Push the drive a few centimetres out of the bay in the direction of the arrow (1).
- ▶ Pull the drive completely out of the bay in the direction of the arrow (2).
- ▶ If you are not installing a new drive, change the drive cover if necessary (see chapter ["Changing the drive cover", Page 37](#)).
- ▶ Fold the drive cage into the closed position again (see chapter ["Closing the drive cage", Page 46](#)).
- ▶ Fit the casing cover onto the casing again (see chapter ["Reattaching the casing cover.", Page 35](#)).

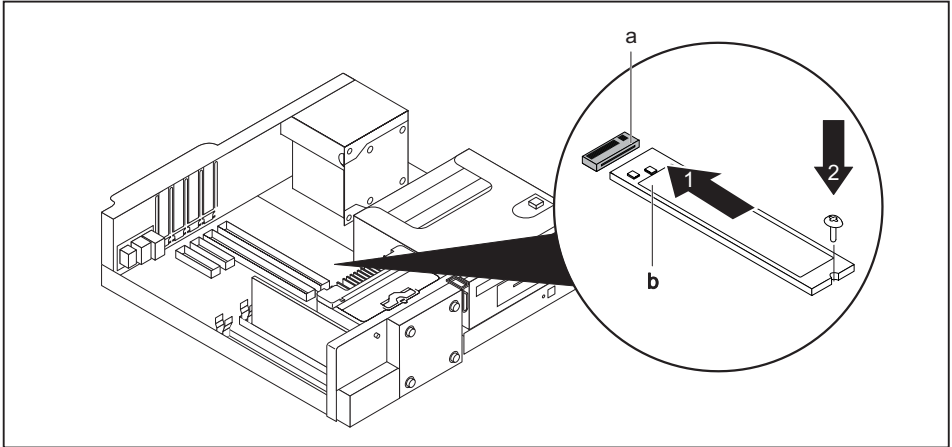


If necessary, you must adjust the entry for the drive accordingly in the *BIOS Setup*.

Installing and removing an M.2 module

Installing an M.2 module

- ▶ Remove the casing cover (see chapter ["Removing the casing cover", Page 34](#)).
- ▶ Fold out the drive cage (see chapter ["Opening the drive cage", Page 45](#)).



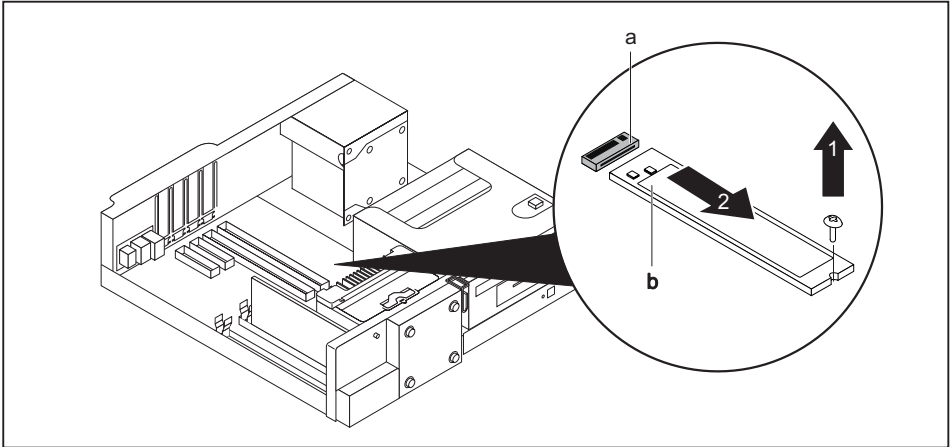
- ▶ Insert the M.2 module (b) at a slight angle in the direction of the arrow (1) into the slot (a) on the mainboard.
- ▶ Secure the M.2 module on the mainboard with the screw (2).
- ▶ Fold the drive cage into the closed position again (see chapter ["Closing the drive cage", Page 46](#)).
- ▶ Fit the casing cover onto the casing again (see chapter ["Reattaching the casing cover.", Page 35](#)).



If necessary, you must adjust the entry for the M.2 module accordingly in the *BIOS Setup*.

Removing an M.2 module

- ▶ Remove the casing cover (see chapter ["Removing the casing cover", Page 34](#)).
- ▶ Fold out the drive cage (see chapter ["Opening the drive cage", Page 45](#)).



- ▶ Undo the screw (1).
- ▶ Pull the M.2 module (b) slightly at an angle in the direction of the arrow (2) and out of the slot (a) on the mainboard and remove it from the casing.
- ▶ Fold the drive cage into the closed position again (see chapter ["Closing the drive cage", Page 46](#)).
- ▶ Fit the casing cover onto the casing again (see chapter ["Reattaching the casing cover.", Page 35](#)).

i

If necessary, you must adjust the entry for the M.2 module accordingly in the *BIOS Setup*.

Installing and removing low-profile boards

The four slots for the boards are protected by a board clip. An additional slot cover exists for each individual slot. If no board is installed in the slot, the slot cover protects the slot.

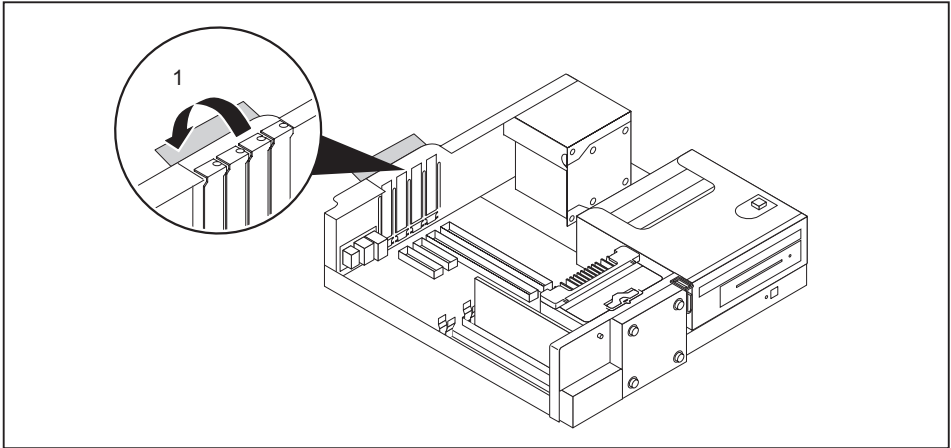


When you install a board, do not discard the corresponding slot cover.

For cooling, protection against fire and in order to comply with EMC regulations, you must refit the slot cover if you remove the board.

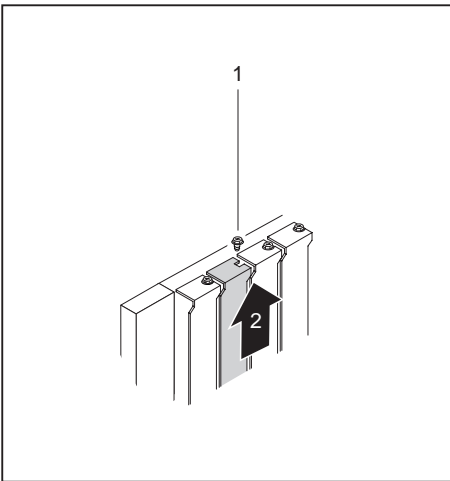
Opening the board retaining mechanism

- ▶ Remove the casing cover (see Chapter ["Removing the casing cover", Page 34](#)).
- ▶ Undo the optional safety screw of the board clip, if present.



- ▶ Fold out the board retaining mechanism (1).

Removing a slot cover.

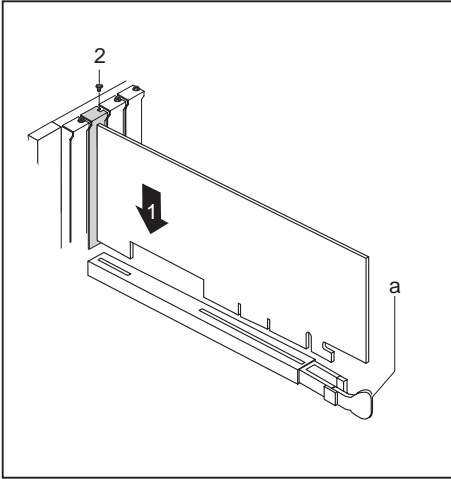


- ▶ Undo the screw (1, optional).
- ▶ Pull the slot cover out of the slot (2).



Do not throw away the slot cover. For cooling, protection against fire and in order to comply with EMC regulations, you must refit the slot cover if you remove the board.

Installing a board



- ▶ Push the board into the slot (1) until it engages.
- ↳ If present, the additional board retaining clip (a) engages.
- ▶ Tighten the screw (2, optional).

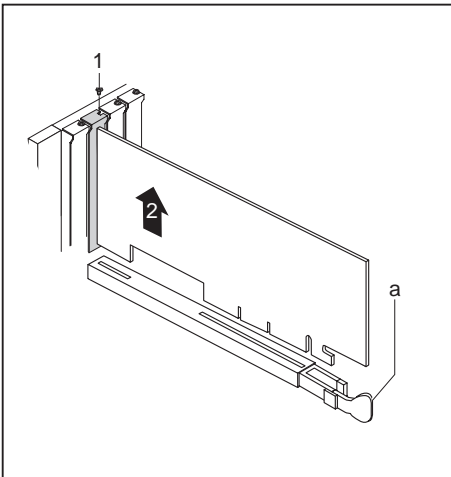
- ▶ If necessary, connect the cables to the board.



If you have installed or removed a board, please check the relevant PCI slot settings in the *BIOS Setup*. If necessary, change the settings. Further information is provided in the PCI board documentation.

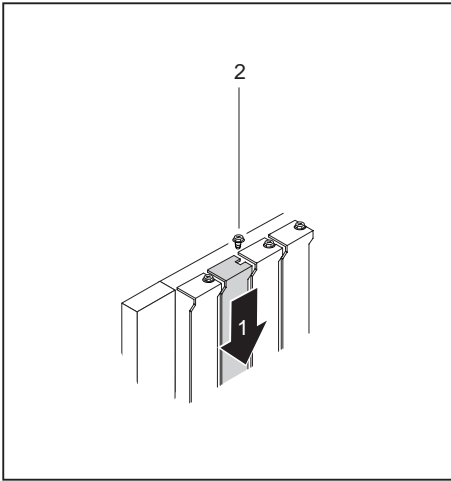
Removing boards

- ▶ If necessary, disconnect the cables which are connected to the board.



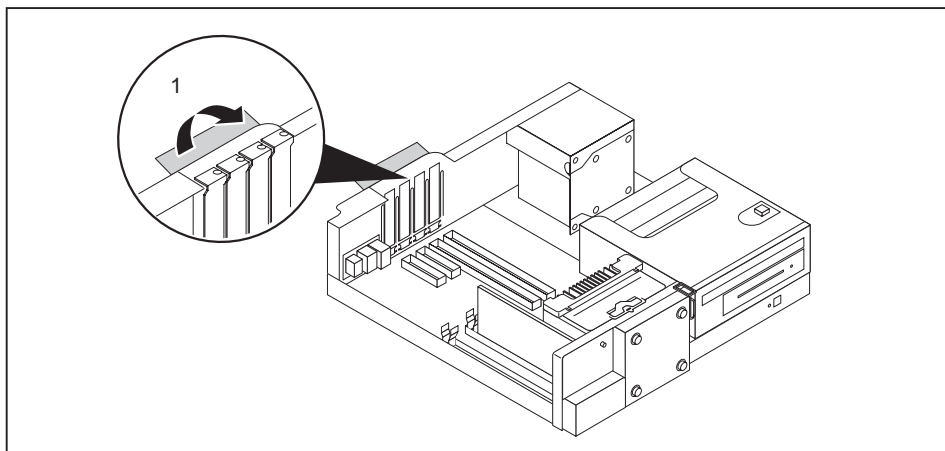
- ▶ Undo the screw (1, optional).
- ▶ Release the board retaining clip (a) where applicable.
- ▶ Pull the board out of the slot (2).
- ▶ Place the board in suitable packaging.

Reinstalling a slot cover



- ▶ Push the slot cover into the slot (1).
- ▶ Tighten the screw (2, optional).

Closing the board retaining mechanism



- ▶ Fold the board retaining mechanism to the closed position (1).
- ▶ If necessary, also secure the board clip with the optional safety screw when present.
- ▶ Fit the casing cover back onto the casing (see Chapter ["Reattaching the casing cover."](#), Page 35).



If you have installed or removed a board, please check the relevant PCI slot settings in the *BIOS Setup*. If necessary, change the settings. Further information is provided in the PCI board documentation.

Installing and removing WLAN antennas

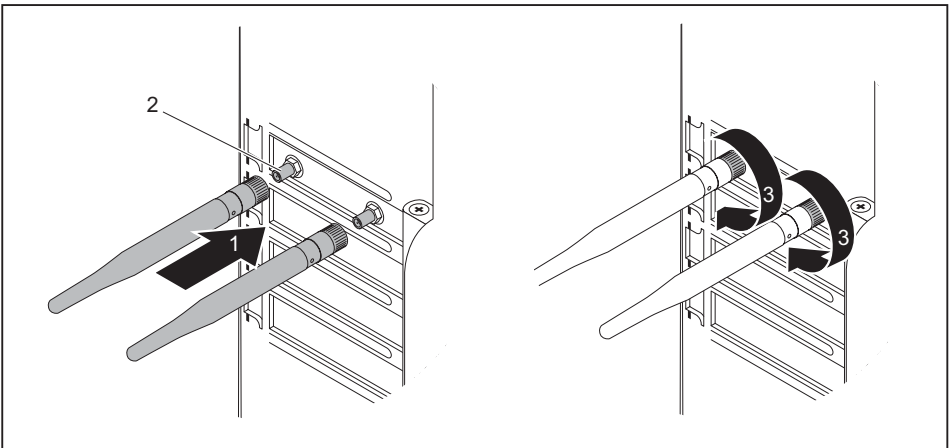
If you have installed a suitable low-profile board, you can install and remove the associated WLAN antennas as described below.

i

Operation of WLAN antennas is not permitted in Taiwan.

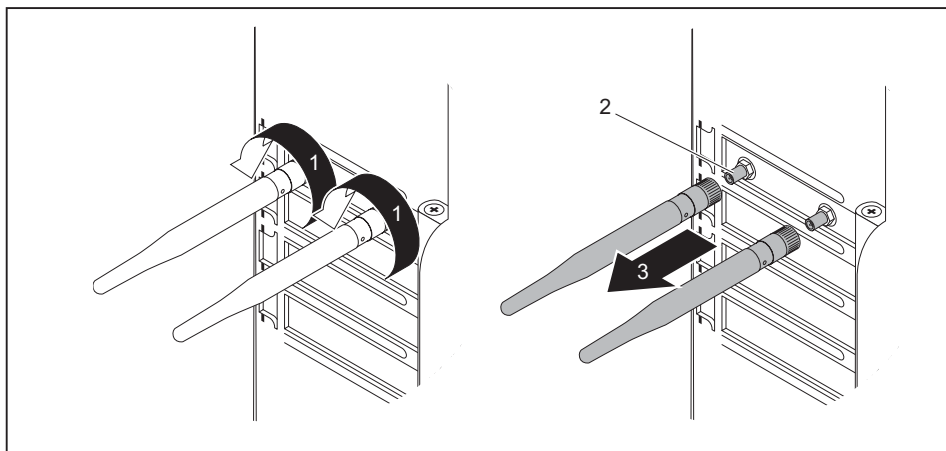
Installing WLAN antennas

- A suitable low-profile board is installed (see chapter ["Installing and removing low-profile boards"](#), Page 60).



- ▶ Working in the direction of the arrow (1), place the WLAN antennas onto the plug-in positions of the board (2).
- ▶ Secure the WLAN antennas by turning in the direction of the arrow (3).
- ▶ Align the WLAN antennas as required.

Removing WLAN antennas



- ▶ Undo the WLAN antennas by turning in the direction of the arrow (1).
- ▶ Pull the WLAN antennas in the direction of the arrow (3) and away from the plug-in positions of the board (2).

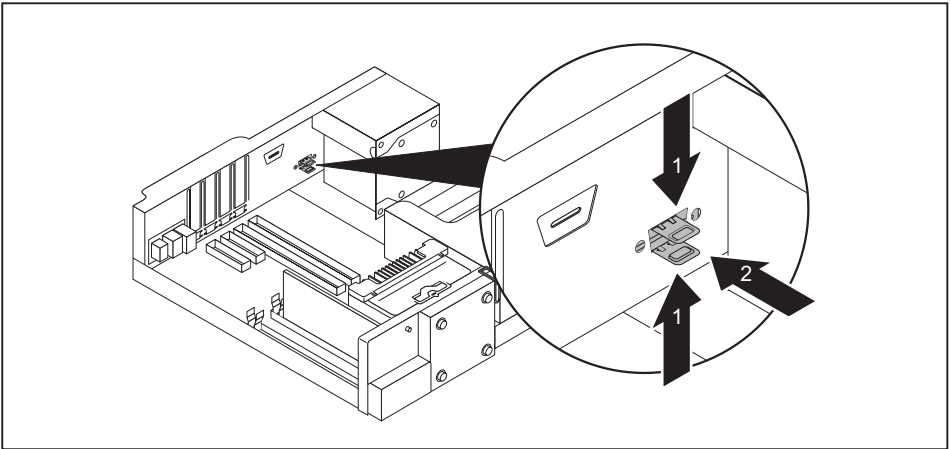
Installing a serial port

Depending on the configuration level of your device, there may be installation openings on the rear panel, intended for serial ports.

- ▶ Remove the casing cover (see chapter ["Removing the casing cover"](#), Page 34).

i

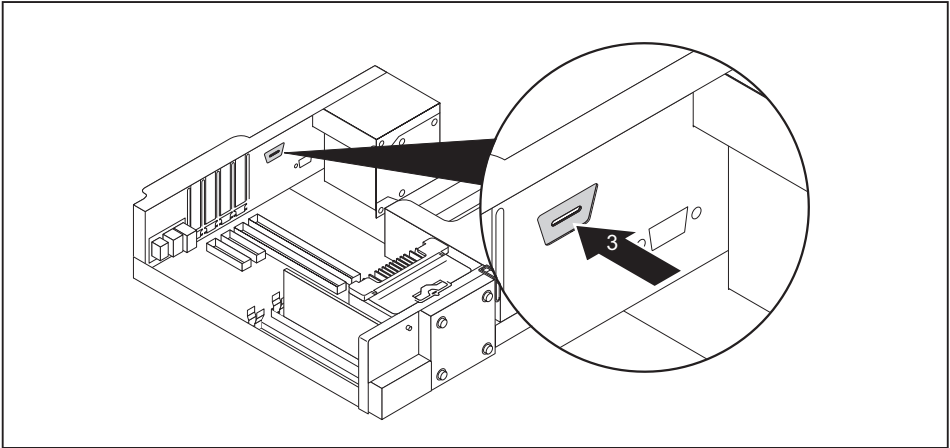
If no ports are installed, the installation openings are covered by a spring metal cover or a break-out plate. Do not throw away the spring metal cover. In order to comply with the electromagnetic compatibility (EMC) regulations, you must refit the metal cover if you remove the serial port again.



- ▶ To remove the spring metal cover: keep the clips (1) pressed and push the metal cover out of the casing from the inside (2).



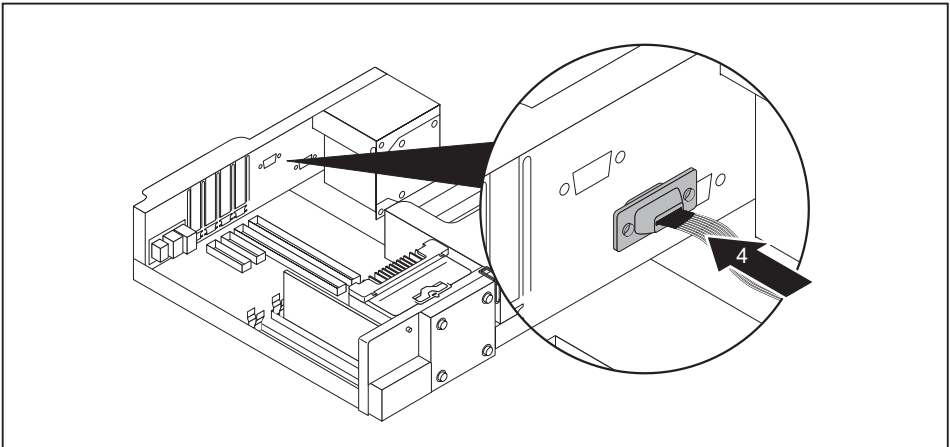
Caution: the edges of the break-out plate could be sharp!



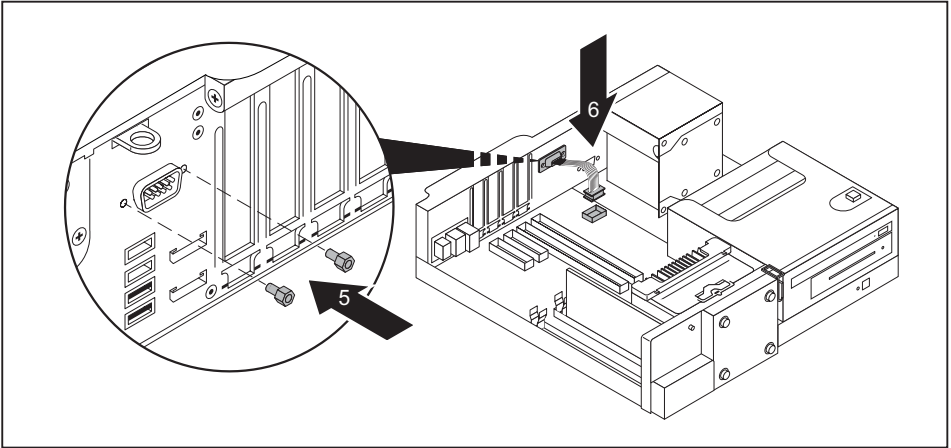
- ▶ To remove the break-out plate: carefully use a flat blade screwdriver to break out the plate (3). Dispose of the removed plate according to the national regulations.



A description of the installation of a serial port in the upper slot is given below. The installation procedure is identical for both slots.



- ▶ Place the serial port inside the device at the position shown (see illustration, position 4).



- ▶ Secure the serial port with the screws supplied (5).
- ▶ Plug the cable into the correct socket on the mainboard (6).
- ▶ Fit the casing cover onto the casing again (see chapter ["Reattaching the casing cover."](#), Page 35).

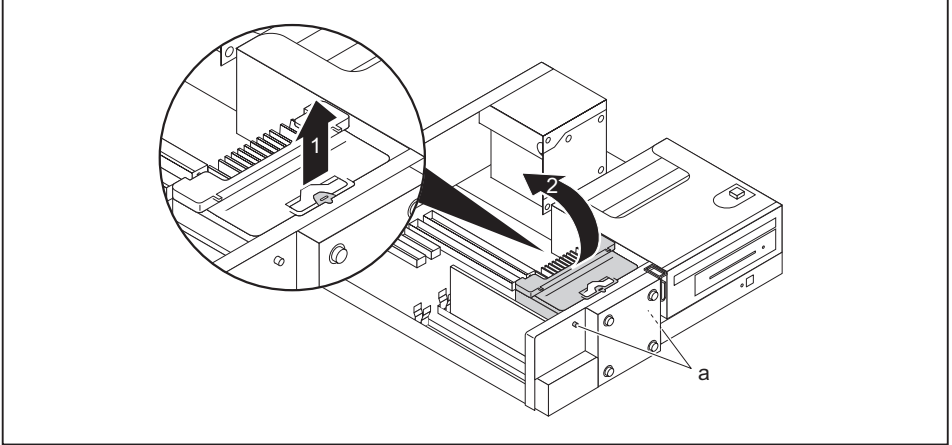
i

To remove, carry out the above steps in reverse order. To comply with the electromagnetic compatibility (EMC) regulations, secure the sheet metal plate again at the installation opening.

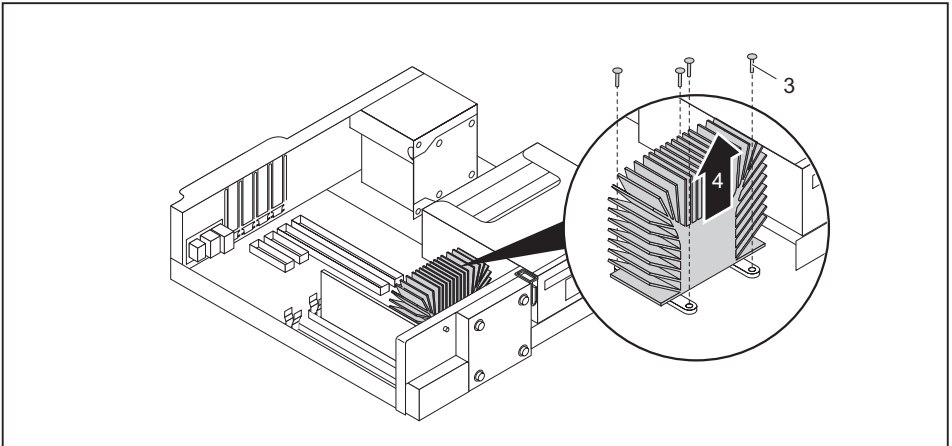
Installing and removing heat sinks

Removing the heat sink

- ▶ Remove the casing cover (see Chapter ["Removing the casing cover", Page 34](#)).



- ▶ Pull the catch of the hood in the direction of the arrow (1) (identified with the label "PULL").
- ▶ Slightly tilt the cowl and lift it out of the casing (2). In doing so, take care that the pins (a) release from the openings on the casing.

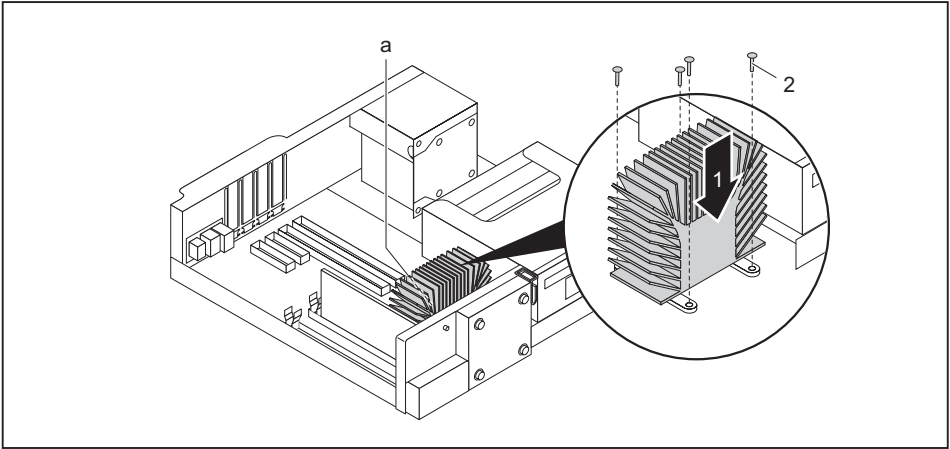


- ▶ Undo the screws on the heat sink (3).
- ▶ Lift the heat sink out of the casing (4).

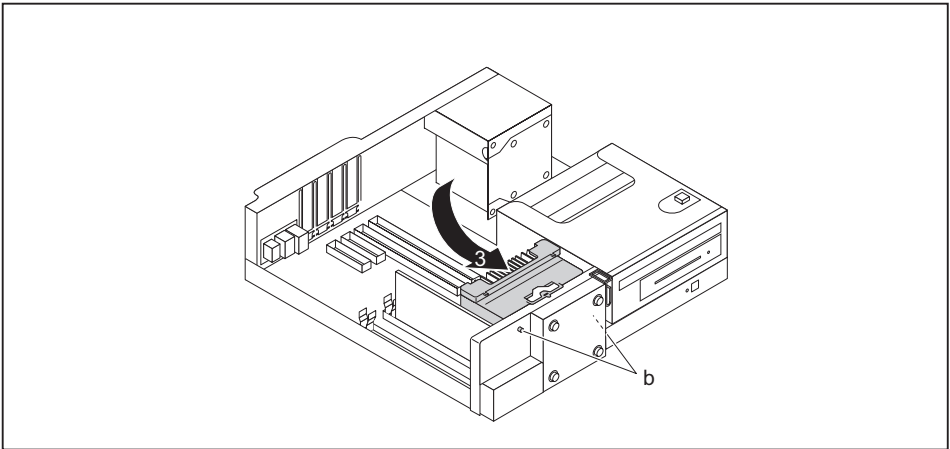


Never operate the device without the heat sink fitted! Reinstall the heat sink before switching on the device.

Installing the heat sink



- ▶ Insert the heat sink into the casing (1): in doing so, align the screw holes on the heat sink correctly together with the screw holes on the mainboard and pay attention to the sticker (a) on the heat sink. This must point towards the inside of the casing / away from the front of the casing.
- ▶ Tighten the screws (2) in a crosswise fashion.



- ▶ Place the cowl in the casing (3) at a slight angle and pay attention that the pins (b) fit into the openings on the casing as shown.
- ↳ The cowl engages at the location marked "PULL".
- ▶ Fit the casing cover back onto the casing (see Chapter ["Reattaching the casing cover."](#), Page 35).

Mainboard expansions

Details on how to upgrade the main memory or the processor of your device can be found in the manual for the mainboard.

Upgrading main memory

- ▶ Remove the casing cover (see Chapter ["Removing the casing cover", Page 34](#)).
- ▶ Upgrade the memory according to the description in the manual for the mainboard.
- ▶ Fit the casing cover back onto the casing (see Chapter ["Reattaching the casing cover.", Page 35](#)).

Processor, replacing

- ▶ Remove the casing cover (see Chapter ["Removing the casing cover", Page 34](#)).
- ▶ Remove the heat sink (see ["Removing the heat sink", Page 70](#)).
- ▶ Upgrade the processor according to the description in the manual for the mainboard.
- ▶ Reinstall the heat sink (see ["Installing the heat sink", Page 72](#)).
- ▶ Fit the casing cover back onto the casing (see Chapter ["Reattaching the casing cover.", Page 35](#)).

Replacing the lithium battery

In order to permanently save the system information, a lithium battery is installed to provide the CMOS-memory with a current. A corresponding error message notifies the user when the charge is too low or the battery is empty. The lithium battery must then be replaced.



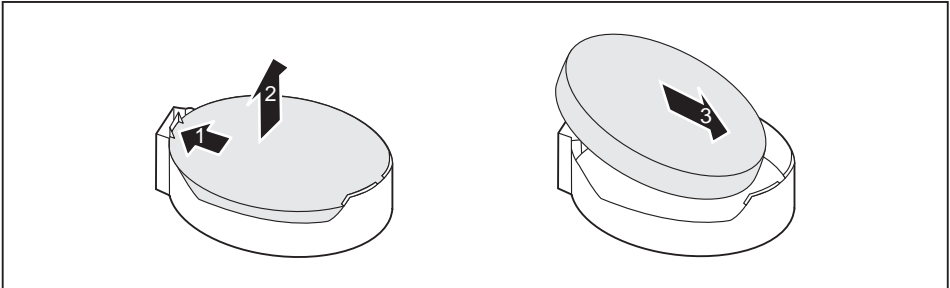
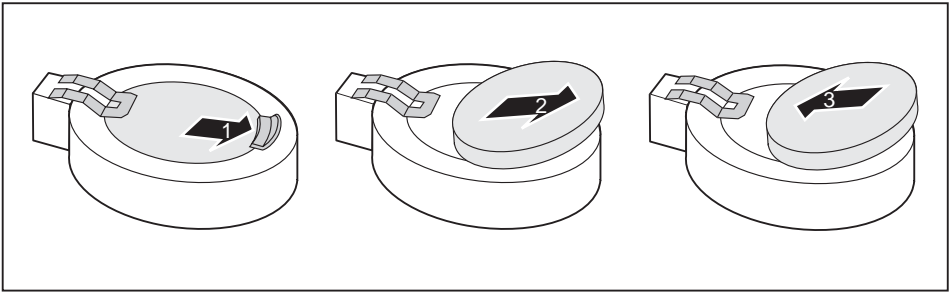
Incorrect replacement of the lithium battery may lead to a risk of explosion!

The lithium battery may be replaced only with an identical battery or with a type recommended by the manufacturer.

Do not dispose of lithium batteries with household waste. They must be disposed of in accordance with local regulations concerning special waste.

Make sure that you observe the correct polarity when replacing the lithium battery. The plus pole must be on the top!

The lithium battery holder exists in different designs that function in the same way.



- ▶ Press the catch in the direction of the arrow (1).
- ↳ The battery jumps out of the holder slightly.
- ▶ Remove the battery (2).
- ▶ Push the new lithium battery of the identical type into the holder (3) and press it down until it engages.

Technical specification

Electrical data	
Safety standards complied with:	IEC 60950-1, CSA 60950-1, UL 60950-1, EN 55022 class B, EN 55024, EN 61000-3-2/-3-3
Protection class:	I
Rated voltage range:	100-240V
Rated frequency:	50-60Hz
Max. rated current	
E85+:	
Device without monitor socket:	3,0-2,0 A
E90+:	
Device with monitor socket:	5,3-3,5 A
of which Value for monitor socket:	2,0-1,0 A
E94+:	
Device with monitor socket:	5,0-2,5 A
of which: Value for monitor socket:	2,0-1,0 A
Dimensions	
Width/depth/height:	332 mm x 338 mm x 89 mm / 13.07 in x 13.31 in x 3.50 in
Weight	
In basic configuration:	approx. 8 kg / 17.64 lbs
Environmental conditions	
Environment class (3K2):	DIN IEC 721 part 3-3
Environment class (2K2):	DIN IEC 721 part 3-2
Temperature:	
Operating (3K2):	<ul style="list-style-type: none"> • ESPRIMO D556 / D756 / D757 / D956 / D957: 10°C ... 35°C / 50°F ... 95°F • ESPRIMO D956 LL: 5°C ... 40°C / 41°F ... 104°F
Transportation (2K2):	-25°C to 60°C / -13°F ... 140°F
The formation of condensation is not permitted while the device is in operation !	
Clearance required to ensure adequate ventilation:	
Without air vents	min. 10 mm / 0.39 in
With air vents	min. 200 mm / 7.87 in



The data sheet for this device provides further technical data. The data sheet can be found on our website ["http://fujitsu.com/fts/"](http://fujitsu.com/fts/).

Index

A

- Access permission, SmartCard 27
- Alphanumeric keypad 24
- Anti-theft protection 26
- Audio input 17
- Audio output 17

B

- Base feet 14
- Battery 74
- BIOS Setup 25
 - security functions 27
- BIOS Setup,
 - configuration 25
 - settings 25
 - system settings 25
- Button,
 - ON/OFF switch 24

C

- Chain 26
- Components
 - installing/removing 32
- Connecting a PS/2 keyboard 19
- Connecting,
 - keyboard 19
 - mouse 18
 - PS/2 keyboard 19
 - PS/2 mouse 18
 - USB keyboard 19
- Contents of delivery 13
- Ctrl+Alt+Del 25
- Cursor keys 24

D

- Data protection 26
- Device
 - indicators 23
 - switching off 22
 - Switching on 22
- Device drivers,
 - serial interface 19
- Device,
 - ports 17
 - setting up 14
 - transporting 11–12
 - upgrades 32
- Devices,
 - connecting 19–20

- DisplayPort 17
- Disposal 12
- Drivers & Utilities DVD 12
- DVI-I monitor port 17

E

- Energy saving 12
- Ergonomic
 - video workstation 14
- External devices,
 - connecting 19–20
 - ports 17

F

- Function keys 24

G

- Getting started 13

H

- Headphones port 17

I

- Important notes 11
- Indicators,
 - device 23
- Installing,
 - software 20–21
 - switching on for the first time 20
- Interfaces 17

K

- Keyboard 24
- Keyboard port 17
- keyboard shortcuts 25
- Keyboard shortcuts 24
- Keyboard,
 - alphanumeric keypad 24
 - connecting 19
 - cursor keys 24
 - function keys 24
 - numeric keypad 24
 - port 19
- Keys 24
 - Ctrl 25
 - Ctrl+Alt+Del 25
 - Menu key 25

Keys,

- Alt Gr 25
- Control 25
- Ctrl key 25
- cursor keys 24
- Enter 24
- Enter key 24
- menu key 25
- Num Lock 25
- Return 24
- shift 25
- shift key 25
- Start key 25

L

- LAN port 17
- Lead-sealing 26
- Line In 17
- Line Out 17
- Lithium battery 73
- Lithium battery,
replacing 74
- Low-profile board 60

M

- Main memory 73
- Main memory,
upgrading 73
- Mainboard
Upgrades 73
- Mains adapter
connecting 16
- Microphone port 17
- Monitor
connecting 18
switching off 22
Switching on 22
- Monitor port 17
- Mouse port 17
- Mouse,
connecting 18

N

- Note
safety 11
- Notes
important 11
- Numeric keypad 24

O

- ON/OFF switch 24

- Operating position, vertical 14

Overview

- Device 7

P

- Packaging 13
- Packaging,
unpacking 13
- Padlock 26
- Parallel port 17
- Ports 9
- Preparing for first use, overview 13
- Preparing for use,
overview 13
- Processor 73
- Processor, replacing 73
- Property protection 26
- Protect
device 26
- PS/2 mouse port 17
- PS/2 mouse,
connecting 18
port 18

R

- Recycling 12
- Replacing,
lithium battery 74
- Replacing, lithium battery 74
- Retransportation 11–12

S

- Safety information 11
- Security functions
BIOS Setup 27
SmartCard 27
- Security Lock 26
- Security measures 26
- Serial interface 17, 19
- Serial interface,
connecting devices 19
settings 19
- Servicing 32
- Setup,
see BIOS Setup 25
- Side cover 14
- SmartCard reader,
operating 27
- Software,
installing 20–21
- System expansion 32

System settings,
 BIOS Setup 25
System unit, see Device 12

T
Transportation 11–12

U
Universal Serial Bus 17
Upgrades
 Mainboard 73
Upgrades,
 device 32

USB devices,
 connecting 20
USB port 18–19
USB port,
 connecting devices 20
 connecting keyboard 19
 connecting the mouse 18
User Documentation DVD 12

V
Vertical operating position 14
Video workstation 14