



## DATA SHEET

---

### USB-C Male to USB-C Male Cable – USB4 (40Gbps)

Perfect for connecting any standard USB-C enabled device to a USB-C or accessory for charging and extremely quick data transfer.

#### OVERVIEW

This USB4 USB-C Cable brings lightning-speed data transfers, up to 8K video support, and power delivery up to 100W—perfect for connecting USB4 enabled devices for fast charging and quick data transfers.

Deliver up to 40Gbps to or from a USB4 enabled port. This cable is an ideal solution to transfer large amounts of information, whether uploading or downloading data. It is so fast you can transfer a 5GB file in about a second over the cable. This cable is backward compatible with previous USB 3.2 and Thunderbolt 3 specifications and devices.

Ensure that a USB4 equipped laptop is fully charged and ready to go while supporting up to 8K video content and delivering up to 100W of charging power to the connected device, like your phone, laptop, or tablet, and other compatible USB-C devices to charge them quickly.

The symmetrical design of the USB-C connector is identical on both sides, so it does not matter if you plug it in upside-down or right-side-up. It will plug in the first time, every time, while preventing damage to the connector port. There is no need to worry about software or drivers to install. The plug-and-play feature makes it simple to connect and start using it right away. The TPE cable jacket and housing construction is recyclable and consumes less energy during production, making it an eco-friendlier alternative to PVC.

#### FEATURES

- Supports all USB4 features, including data transfer rates up to 40Gbps
- Backward compatible with USB 3.2, USB 2.0 & Thunderbolt 3 specifications and devices
- Supports power delivery of up to 100W
- Reversible, symmetrical USB-C connector
- Plug and play—no software or driver required
- Cable jacket and housing made of TPE, an eco-friendlier alternative to PVC

#### ITEM DESCRIPTION

C2G28877	2.5ft (0.8m) USB-C* Male to USB-C Male Cable (20V 5A) - USB4* 40Gbps
C2G28878	3.3ft (1m) USB-C* Male to USB-C Male Cable (20V 5A) - USB4* 40Gbps

## ELECTRICAL SPECIFICATIONS

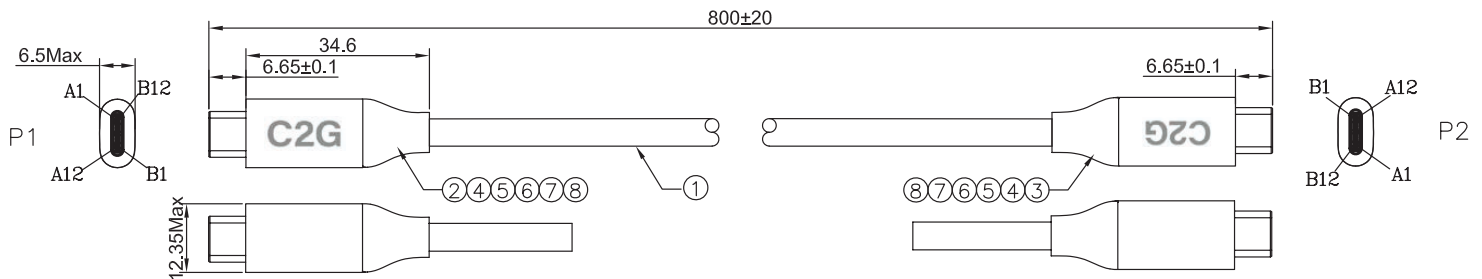
- Rating: Voltage: 30V
- Rating: Temperature: 80°C
- Conductor Resistance: at 20°C Max, 960Ω/KM 34AWG
- Insulation Resistance: 10M-KM Min at 20°C DC 300V
- USB Specification: USB4

## PHYSICAL SPECIFICATIONS

- Operating Temperature: 0°C to 50°C; 15-85% RH (Non-Condensing)
- Storage Temperature: -25°C to 70°C; 15-85% RH (Non-Condensing)

## PHYSICAL CHARACTERISTICS

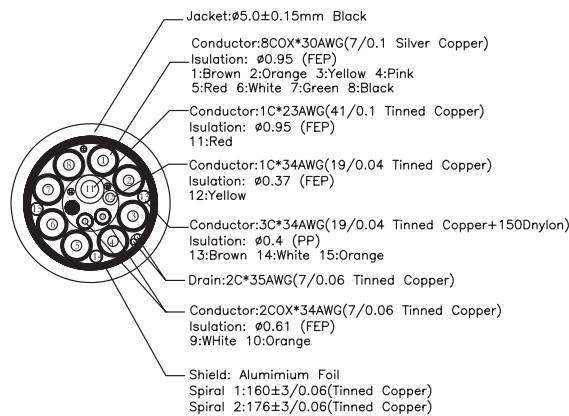
- Connectors: USB4 Type C; Contacts: Gold Flashed; Shell: Nickel Plated
- Cable Jacket Material: TPE Black
- Cable Housing Material: TPE Black
- C2G28877: Cable OD 5.00mm (about 0.2 in); Jacket: 5.00±0.15mm (about 0.01 in) Black
- C2G28878: Cable OD 4.95mm (about 0.19 in); Jacket: 4.95±0.20mm (about 0.01 in) Black
- Cable Length: 800mm (about 2.62 ft) ± 20mm (about 0.79 in)
- Product is CE Marked and Conforms to 2011/65/EU ROHS 2



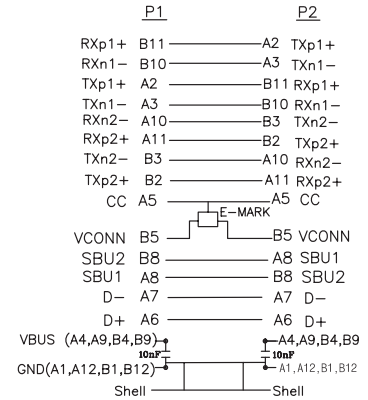
### 1. ELECTRICAL TEST:

- 1.100% OPEN & SHORT & MIS WIRE TEST
- 2.CONTACT RESISTANCE: 3 ohm(MAX)

### 2.Cable Cross Section:



### Pin Assignment



NO	DESCRIPTION	Q'TY	UNIT
8	USB CM ABS Cover Black	2	pcs
7	45P TPE Black	15	g
6	Inside Molding:PP	1	g
5	USB CM Up Tinplate Nickel Plated	2	pcs
4	USB CM Down Tinplate Nickel Plated	2	pcs
3	USB4 C(M)~Plug Black,PIN Gold Plated G/F with E-mark	1	pcs
2	USB4 C(M)~Plug Black,PIN Gold Plated G/F	1	pcs
1	USB4 Cable [30AWG(7/0.1SC)+S(48/0.05TC)+CU+M]*8COX+[34AWG(7/0.06TC)+S(28/0.05TC)+CU+M]*2COX+23AWG(41/0.1TC)*1C+34AWG(19/0.04TC)*1C+[34AWG(19/0.04TC)+150Dnylon+A]*3C+A2E2S(7/0.06TC) OD:5.0mm Black TPE	0.8	m
NO	DESCRIPTION	Q'TY	UNIT



LEGRAND | AV COMMERCIAL BRANDS

C2G | Chief | Da-Lite | Luxul | Middle Atlantic | Vaddio | Wiremold

### SIMPLIFIED CONNECTIVITY

USA 800.506.9607 | c2g.com | legrandav.com | customer-service@c2g.com

EMEA +31 495 580 840 | c2g.com/uk | legrandav.com | c2g.emea@av.legrand.com

©2022 Legrand AV Inc. 220615 Rev A 9/22 C2G is a registered trademark of Legrand AV Inc. All other brand names or marks are used for identification purposes and are trademarks of their respective owners. All patents are protected under existing designations. Other patents pending.