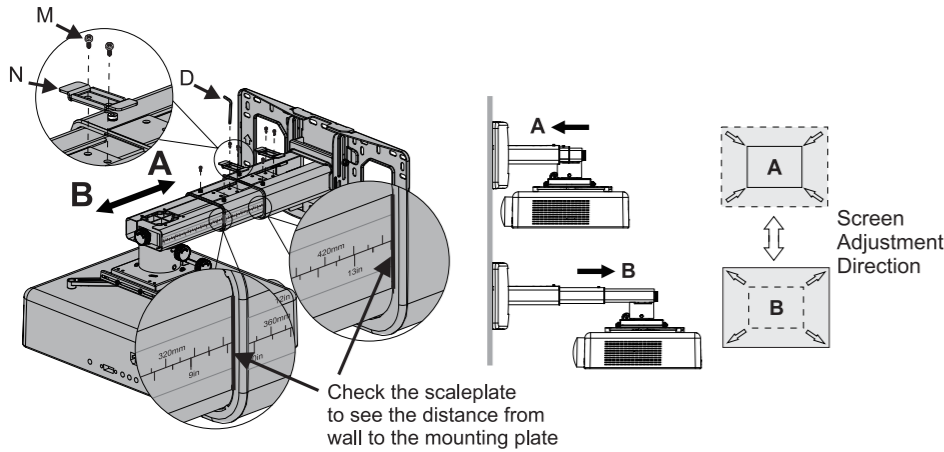
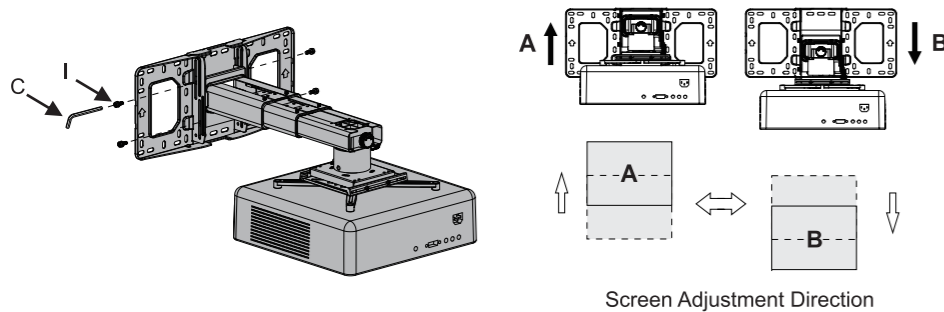


To Adjust The Projector Forwards/Backwards

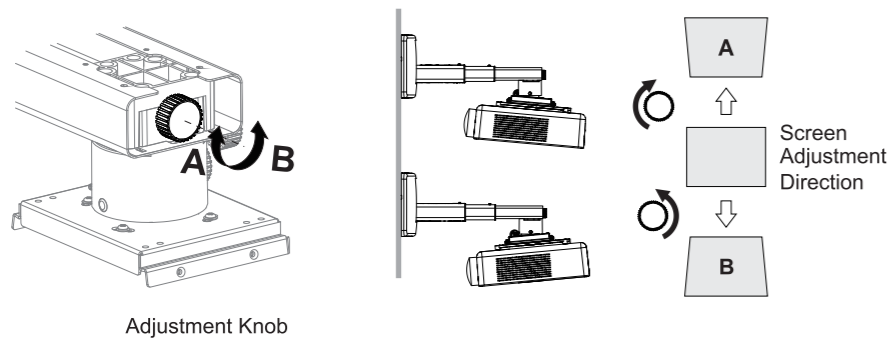


Note: To make adjustments to meet your demands, screws must be loosened in a specific order. (When the length of inside arm (895mm) don't meet your demands, then you should loose the screws on the outside arm to adjust the middle arm. Under this circumstance, the number read on the middle arm is right).

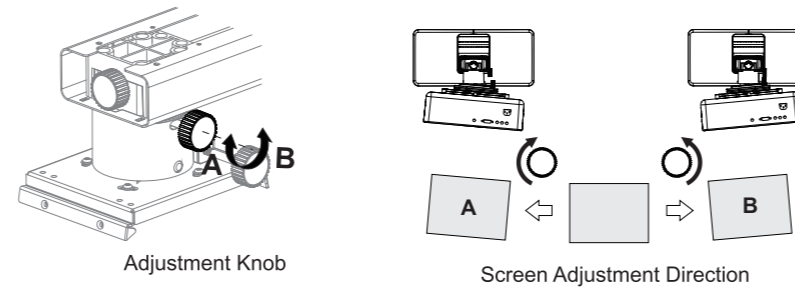
To Adjust The Projector Upwards/Downwards



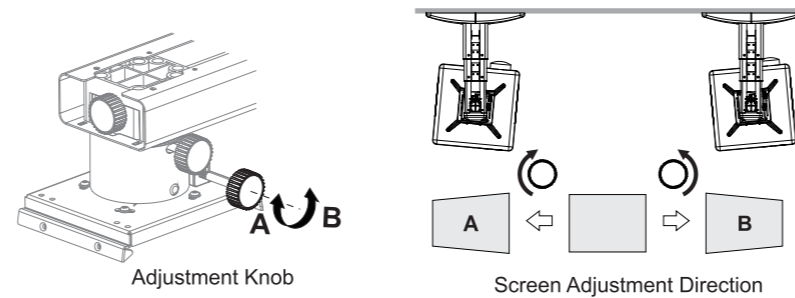
To Adjust The Vertical Tilt Knob



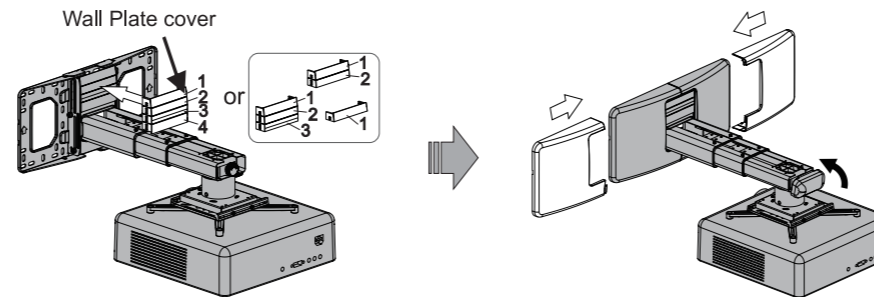
To Adjust The Horizontal Roll Knob



To Adjust The Horizontal Rotation Knob



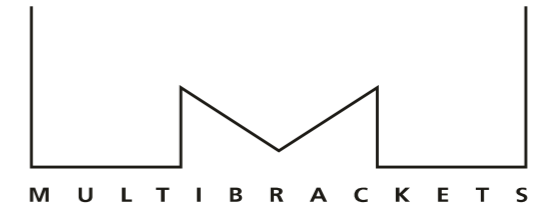
To Place The Decorative Cover



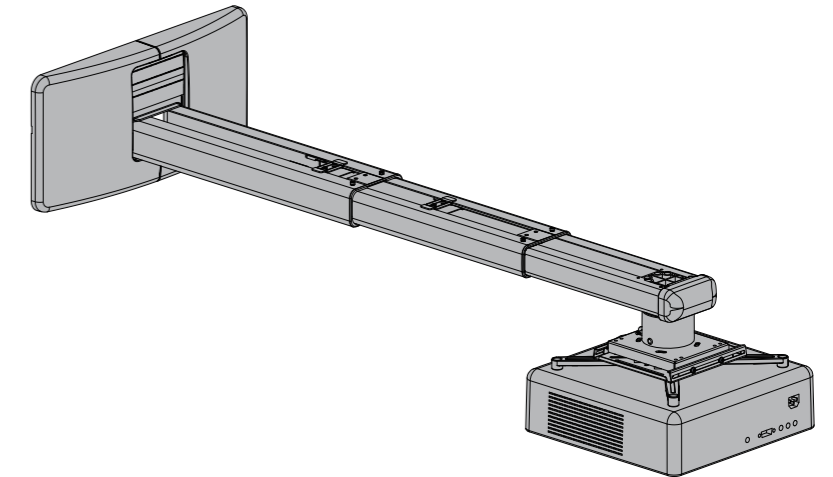
Note: When all adjustments are done, the wall plate covers can be used to cover the blank area on the top of wall plate. The number of wall plate cover used depends on the size of blank area. But the wall cover must be used in a specific order as the picture on left shows. Finally, put the wall cover on.

Product Information:

Model	LT30B-D
NET Weight	12.6lb (5.7kg)
Load Capacity	22lb (10kg)
Adjustable Range	19.5"-49.2" (495mm-1250mm)
Adjustable Angle	± 5° tilt, left/right, front/rear and lateral rotation adjustment



M Projector Mount Short Throw Deluxe 500-1300

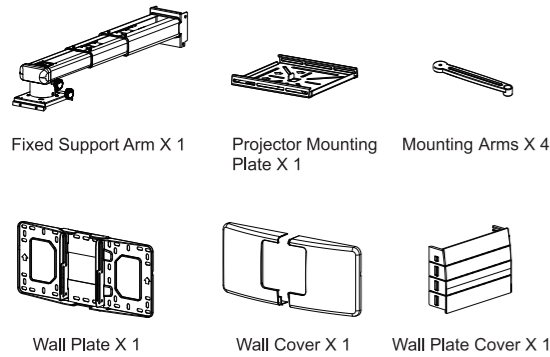


- Be sure to read this manual thoroughly and to do the installation work safely. Keep this manual available for future reference.
- Sufficient expertise is required for installing this projector wall mount.
- Do not use the projector wall mount for purposes other than for which it is designed.

Important Safety

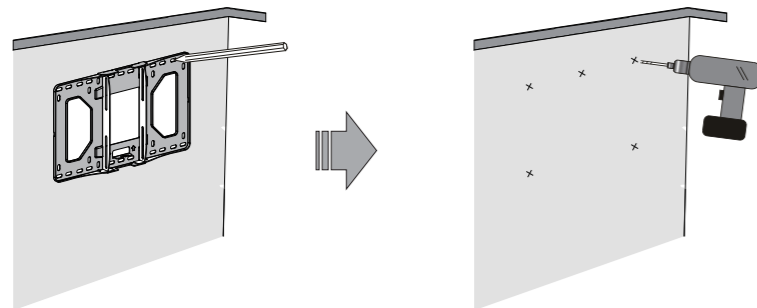
- 1 Be sure this manual is completely understood before installation work.
 - 2 Installation or dismantling of the projector from the projector wall mount must be carried out only by qualified service personnel (two or more).
 - 3 **Use with products heavier than the maximum weights (Weight Capacity : <22lb(10kg)) indicated may result in instability causing possible injury.**
 - 4 For safety reasons, check the strength of the wall before installation. If the wall is not strong enough, reinforce it sufficiently before installation.
 - 5 Do not make alterations to the projector wall mount.
 - 6 Do not install the projector wall mount on a wall subject to vibration or impact.
 - 7 To avoid fire, do not install the projector with the projector wall mount in a humid or excessively dusty place.
 - 8 Use the supplied accessories only. Use of accessories other than those supplied may result in damage to the projector wall mount.
 - 9 When dismantling the projector from the projector wall mount, be sure to unplug the AC power cord and other connecting cables beforehand.
 - 10 Do not hit or hang any heavy objects on the projector wall mount. If the projector wall mount is damaged, stop use and contact a qualified service person immediately.
 - 11 Please install this apparatus only on the horizontal surface instead of the slanting one.
- * **Manufacturer is not liable for any damages or injury caused by mishandling or improper installation.**

Checking The Supplied Accessories

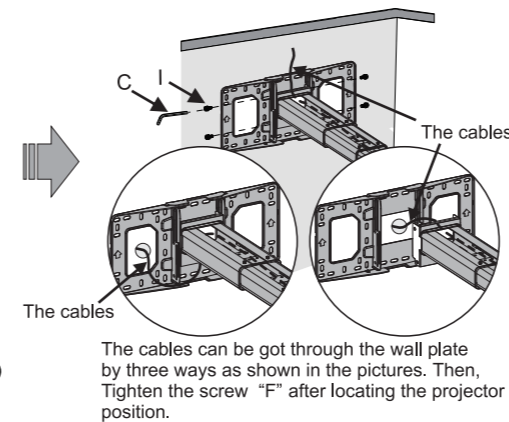
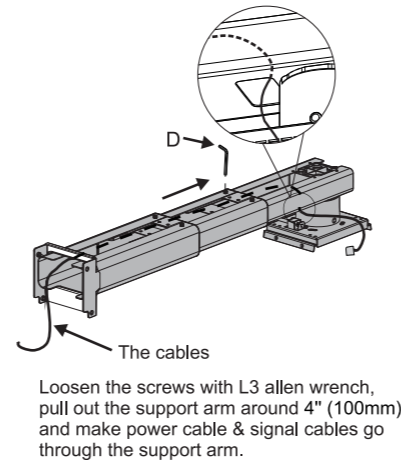
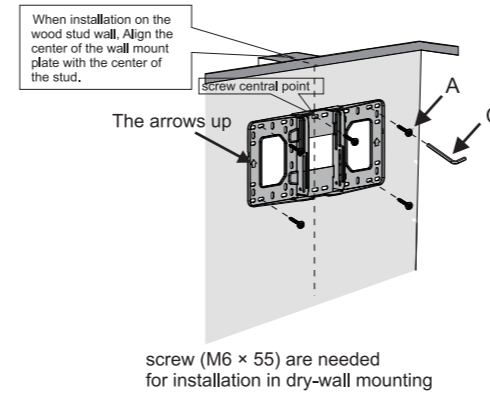
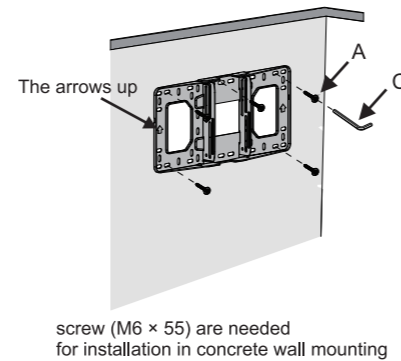
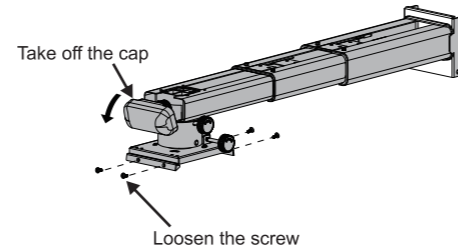


NO	diagrammatic presentation	designation	quantity
A		Screw (M6X55)	5
B		Φ10mm Anchor bolt	5
C		L5 Allen key	1
D		L3 Allen key	1
E		Screw (M3X10)	4
F		Screw (M4X10)	4
G		Screw (M5X12)	4
H		Screw (M5X25)	4
I		Screw (M6X15)	4
J		M5 nuts	4
K		spacer(8.0)	4
L		M6 Connecting screws	4
M		Screw (M4X6)	2
N		Locking Plate	1

To Set The Projector Wall Mount On The Wall

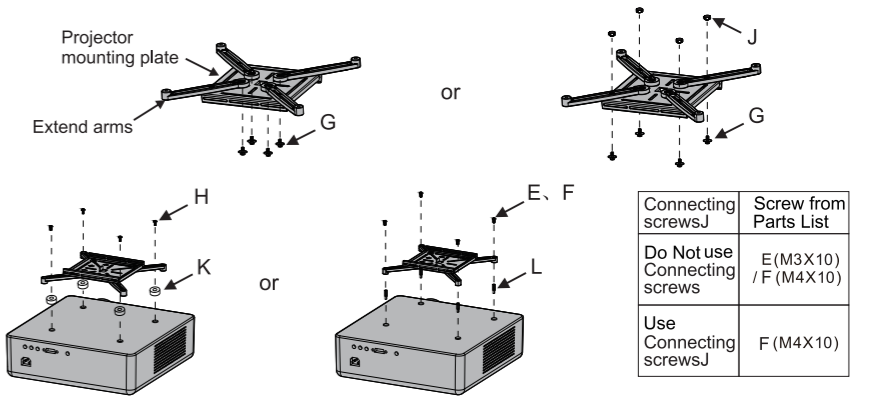


- The bracket is suitable for concrete wall mounting or wooden stud wall.
- Concrete wall mounting thickness must be a minimum 4" (100mm). Anchor bolt and screw (M6 × 55) are needed to be used for concrete wall installation.
- Dry-wall wall thickness must be a minimum 4.5" (114mm). Only screw (M6 × 55) is needed to be used for installation, and gypsum board thickness less than 0.59" (15mm). If the wall is not strong enough, reinforce it sufficiently before installation.
- Please contact reseller if you have any questions about mounting surface issue.

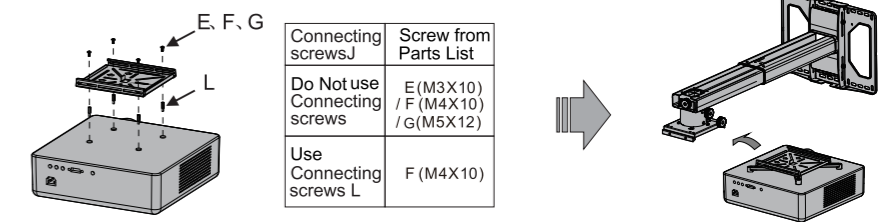


To Install The Projector On The Projector Wall Mount

a. Use the extend arms :



b. Do not use the extend arms :



- Move the projector mounting plate leftwards/rightwards to decide the projector position.

