

**TOUCHSCREENS****INFORMATION****23.8" Full HD In-cell PCAP 10pt interactive Touch Panel PC with Android OS, IPS panel technology, anti glare coating, PoE Technology and iiSignage<sup>2</sup>**

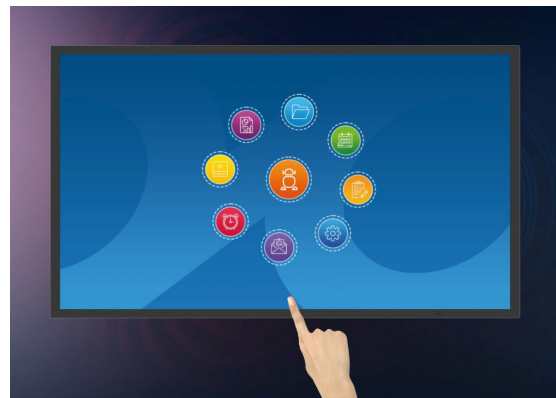
The ProLite TW2424AS-B3P interactive Touchpanel-PC is a perfect choice for high-use environments. The IPS panel, integrated in a slim and elegant bezel, delivers both excellent colour performance with wide viewing angles and noticeably sharper images. The In-cell 10tp PCAP touch technology ensures a fluid and natural touch experience. This monitor can operate in landscape, portrait and face-up orientation in 24/7 operating time. Thanks to the pre-installed Android 14 operating system, it is possible to easily customize the monitor by installing applications directly to it. In combination with the 32GB storage, Wi-Fi connection, LAN (RJ45) and Bluetooth connectors, it makes the monitor especially suited for POS systems or information points in retail shops to educate customers about your products, as well as virtually limitless smart home applications. Thanks to Power over Ethernet (PoE), both power and data are delivered through a single cable, simplifying installation and reducing additional cables.

Additionally, it integrates effortlessly with **iiSignage<sup>2</sup>**, iiyama's Content Management System (CMS), giving you full control over your messages and advertising.



## Connectivity

The RJ45 (LAN) connector supporting Power over Ethernet technology (POE) allows to provide both data connection and power by a single cable, which simplifies installation in areas where many cables would interfere with the environment.



## Android OS

Thanks to Android OS, you can easily customize the display to your needs by installing applications directly to it.



## iiSignage<sup>2</sup>

iiSignage<sup>2</sup> is our digital signage content management platform to easily show and control your content and to manage your displays in a secure way. The Content Management System (CMS) gives you total control of your messaging and advertising remotely and safely.

## SPECIFICATION

### 01 DISPLAY CHARACTERISTICS

<b>Design</b>	Thin bezel
<b>Diagonal</b>	23.8", 60.5cm
<b>Panel</b>	IPS
<b>Native resolution</b>	1920 x 1080 (2 megapixel HD)
<b>Aspect ratio</b>	16:9
<b>Brightness</b>	450 cd/m <sup>2</sup> with touch
<b>Static contrast</b>	1000:1 with touch
<b>Response time (GTG)</b>	14ms
<b>Viewing zone</b>	horizontal/vertical: 178°/178°, right/left: 89°/89°, up/down: 89°/89°
<b>Colour support</b>	16.7mln 8bit
<b>Horizontal Sync</b>	31. - 83.kHz
<b>Viewable area W x H</b>	527 x 296.5mm
<b>Pixel pitch</b>	0.275mm
<b>Bezel colour and finish</b>	black, matte

### 02 TOUCH

<b>Touch technology</b>	projective capacitive
<b>Touch points</b>	10 (HID, only supported by integrated OS, external OS only support single touch)
<b>Touch method</b>	finger, glove (latex), capacitive stylus
<b>Touch interface</b>	USB

### 03 INTERFACES / CONNECTORS / CONTROLS

<b>Audio input</b>	Mini jack x1
<b>Digital signal output</b>	USB-C x1 (1x v. 3.2 (Gen 1, video output and touch board function – mirror screen))
<b>Audio output</b>	Speakers 2 x 5W
<b>HDCP</b>	yes
<b>USB ports</b>	x2 (1x v. 3.2 (Gen 1, 5Gbit; DC5V, 900mA), 1x 2.0 (DC5V, 500mA))
<b>RJ45 (LAN)</b>	x1 (PoE - IEEE802.3at/72W (1000M))
<b>Microphone</b>	x1

### 04 FEATURES

<b>Integrated software</b>	Android 14 with GMS
<b>SOC</b>	Octa-core RK3576 (4x A53 + 4x A72)
<b>GPU</b>	ARM G52 MC3
<b>Storage</b>	32GB eMMC
<b>Memory</b>	4GB LPDDR4

<b>WiFi</b>	IEEE802.11ax/ac/a/b/g/n
<b>Bluetooth</b>	5.3
<b>Extra</b>	auto-rotation, 2x5W speakers, dual microphone, anti-glare coating, PoE, iiSignage <sup>2</sup>
<b>Max. non-stop operating time</b>	24/7
<b>Anti image retention</b>	yes
<b>Glass hardness</b>	6H
<b>OSD key lock</b>	yes

## 05 GENERAL

<b>Control buttons</b>	Power switch, volume/ button +, volume/ button -
<b>Applications</b>	Applications: lock application, manage restart time, manage power on/off time, calculator, calendar, Chrome, alarm/clock/timer/stopwatch, manage files & folders, organize albums, Gmail, Google, iiSignage <sup>2</sup> , play audio files, Play store, system preferences, sound recorder, play video
<b>Flicker free</b>	yes

## 06 MECHANICAL

<b>Orientation</b>	landscape, portrait, face-up
<b>VESA mounting</b>	100 x 100mm
<b>Cable management system</b>	yes
<b>MTBF</b>	50000 hours (excluding backlight)

## 07 ACCESSORIES INCLUDED

<b>Cables</b>	power (1.8m)
<b>Guides</b>	quick start guide, safety guide
<b>Other</b>	AC adapter
<b>Cable cover</b>	yes

## 08 POWER MANAGEMENT

<b>Power supply unit</b>	external
<b>Power supply</b>	DC 12 V
<b>Power usage</b>	17.5W typical, 0.5W stand by, 0.3W off mode

## 09 SUSTAINABILITY

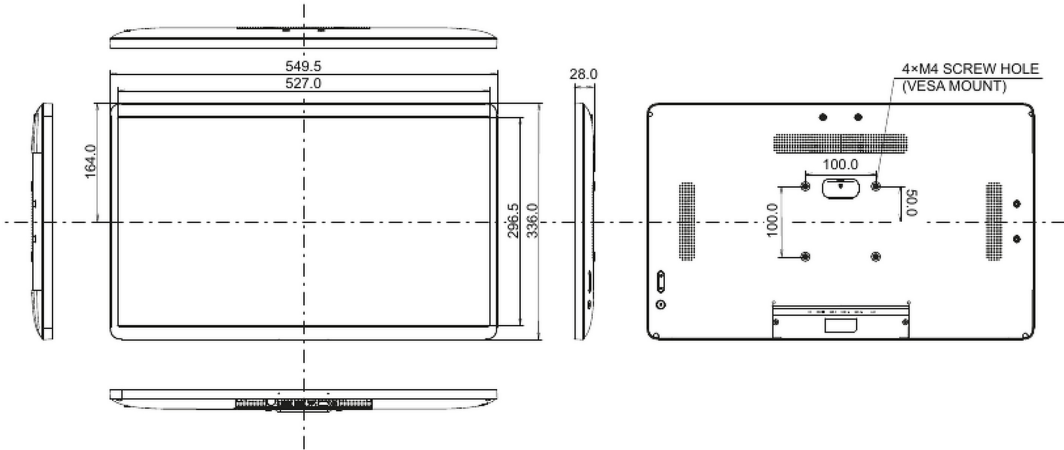
<b>Regulations</b>	CE, EAC, RoHS support, ErP, WEEE, REACH, UKCA
<b>REACH SVHC</b>	above 0.1%: Lead

## 10 DIMENSIONS / WEIGHT

<b>Product dimensions</b>	550 x 336 x 28mm
<b>W x H x D</b>	

<b>Box dimensions W x H x D</b>	640 x 410 x 121mm
<b>Weight (without box)</b>	4,24kg
<b>Weight (with box)</b>	6.2kg

**EAN code** 4948570127153





All trademarks and registered trademarks acknowledged. E & O E. Specification subject to change without notice. All LCD's comply with ISO-9241-307:2008 in connection with pixel defects. © IYAMA CORPORATION. ALL RIGHTS RESERVED