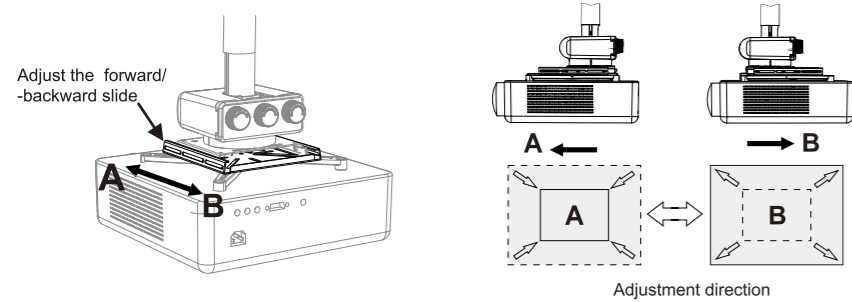
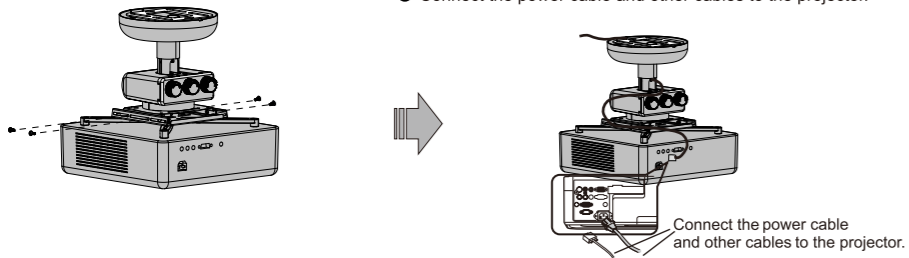


To Install The Projector On The Projector Ceiling Mount

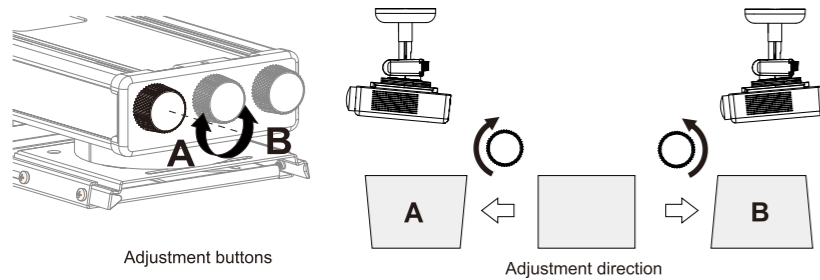
- Move the projector mounting plate and adjust the forward/backward slide.



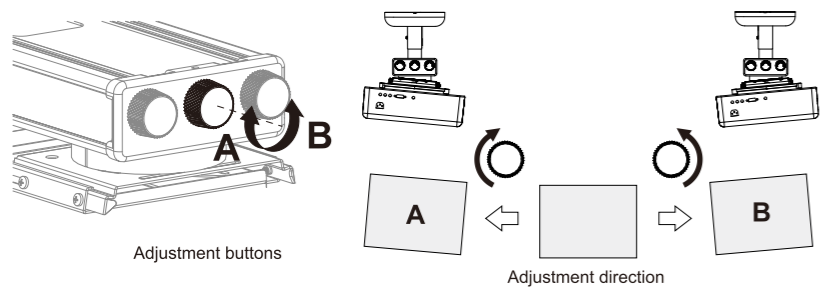
- Connect the power cable and other cables to the projector.



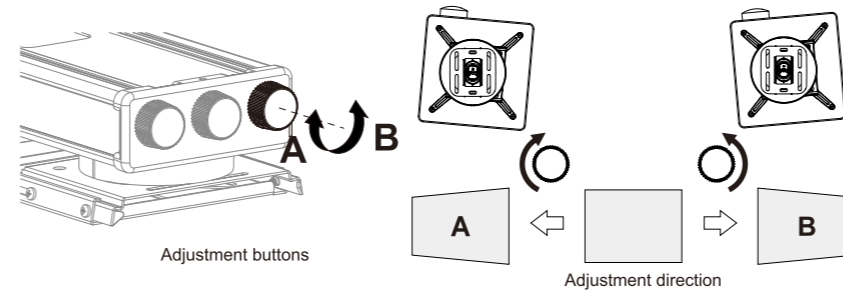
To Adjust The Vertical Tilt



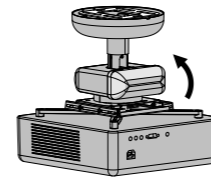
To Adjust The Horizontal Roll



To Adjust The Horizontal Rotation

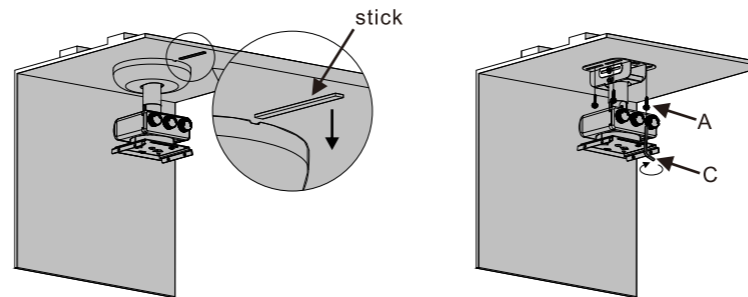


To Put On The Decorative Cover



To Remove The Projector Ceiling Mount

- Use a stick or something hard to pry open the ceiling plate cover.

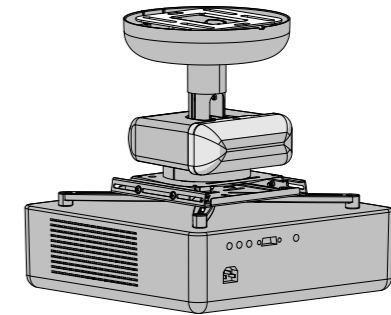


Product Information:

Net weight: 2.0kg	Rated capacity: 25kg
Adjustable angle: Longitudinal inclination、Level angle、Yaw angle $\pm 5^\circ$ (3 directions)	
Adjustable range: From the installation plate center vertical distance 200	



M Universal Projector Ceiling Mount 200 with finetune

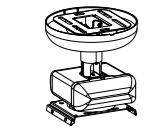


- Be sure to read this manual thoroughly and to do the installation work safely.Keep this manual available for future reference.
- Sufficient expertise is required for installing this projector ceiling mount.
- Do not use the projector ceiling mount for purposes other than for which it is designed.

Important Safety

- ❶ Be sure to read this manual thoroughly to do the installation work.
 - ❷ Only qualified service personnel (two or more) should carry out installation or dismantling of the projector from the projector ceiling mount.
 - ⚠ **Use with products heavier than the maximum weights (Weight Capacity : <25kg) indicated may result in instability causing possible injury.**
 - ❸ For safety reasons, check the strength of the ceiling before installation. If the ceiling is not strong enough, reinforce it sufficiently before installation.
 - ❹ Do not make alterations to the projector ceiling mount.
 - ❺ Do not install the projector ceiling mount on a ceiling subject to vibration or impact.
 - ❻ To avoid fire, do not install the projector with the projector ceiling mount in a humid or excessively dusty place.
 - ❼ Use the supplied accessories only. Use of accessories other than those supplied may result in damage to the projector ceiling mount.
 - ❽ When dismantling the projector from the projector ceiling mount, be sure to unplug the AC power cord and other connecting cables beforehand.
 - ❾ Do not hit or hang any heavy objects on the projector ceiling mount. If the projector ceiling mount is damaged, stop use and contact a qualified service person immediately.
 - ❿ Please install this apparatus only on the horizontal surface instead of the slanting one.
- * **Manufacturer is not liable for any damages or injury caused by mishandling or improper installation.**

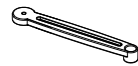
Checking The Supplied Accessories



Setting plate (1)



Projector Mounting Plate (1)

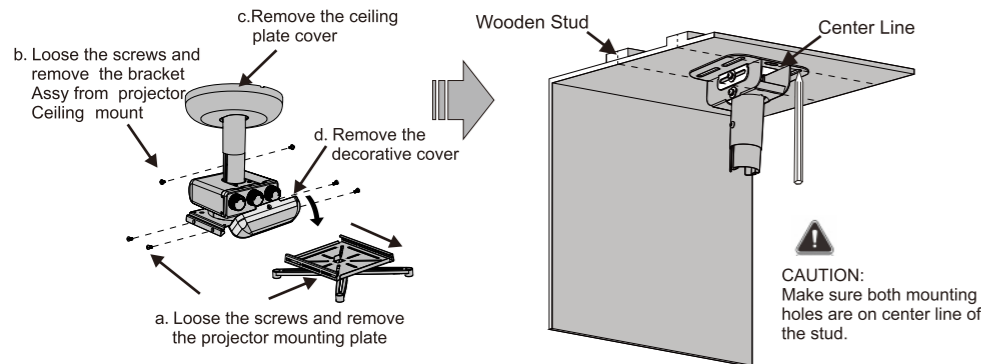


Extend arms (4)

NO	diagrammatic presentation	designation	quantity
C		Allen key	1
D		Screw (M3X10)	4
E		Screw (M4X10)	4
F		Screw (M5X12)	4
G		Screw (M5X25)	4
H		M5 nuts	4
I		spacer(8.0)	4
J		M6 Connecting screws	4

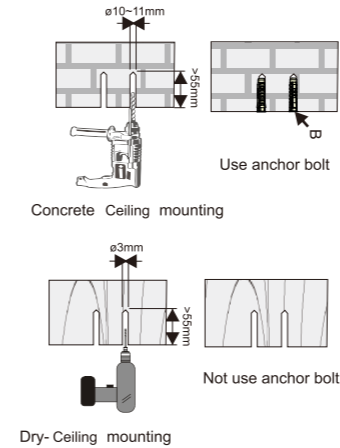
NO	diagrammatic presentation	designation	quantity
A		Screw (M6X55)	5
B		Φ10mm Anchor bolt	5

To Set The Projector Ceiling Mount On The Ceiling

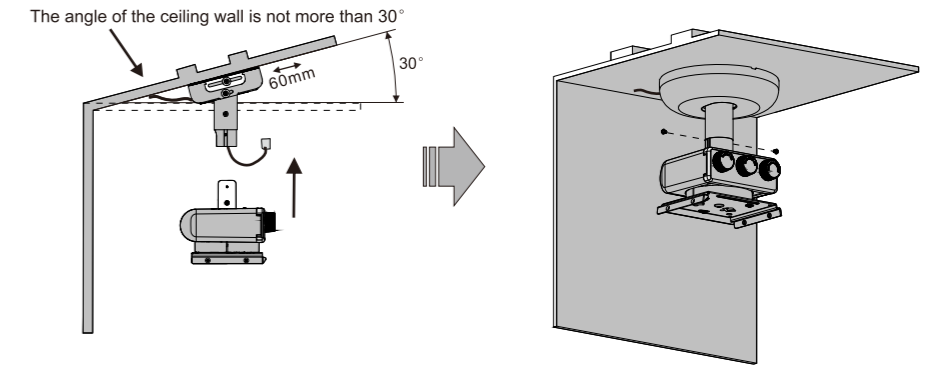


To Set The Projector Ceiling Mount On The Wall

- Concrete ceiling mounting thickness must be a minimum 100mm. Anchor bolt and screw (M6 × 55) are needed to be used for installation.
- Dry-ceiling mounting thickness must be a minimum 70mm. Only screw (M6 × 55) is needed to be used for installation. If the wall is not strong enough, reinforce it sufficiently before installation.
- Please contact manufacturer if you have any questions about mounting surface issue.

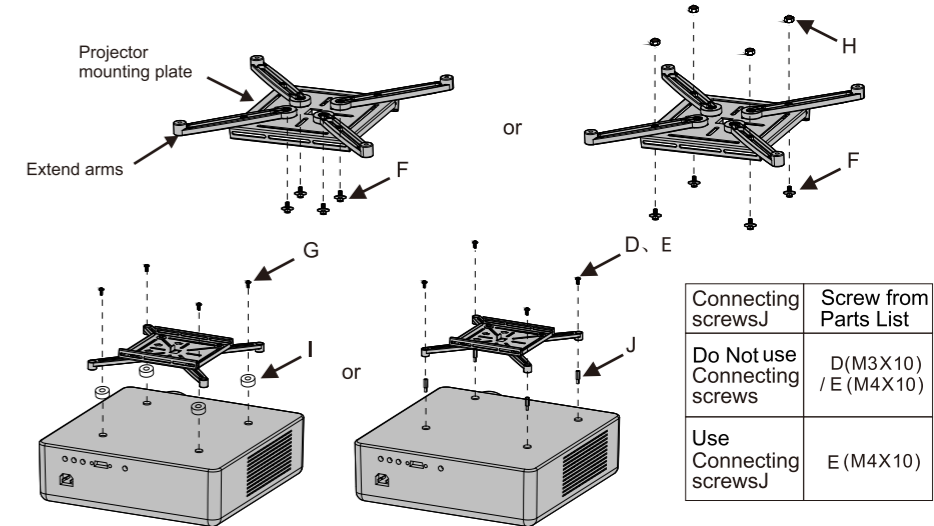


To Set The Projector Ceiling Mount On The Wall



To Install The Projector On The Projector Ceiling Mount

a. Use the extend arms :



b. Do not use the extend arms :

