

ESPRIMO P556  
ESPRIMO PH556

---



# Thank you for buying an innovative product from Fujitsu.

Latest information about our products, useful tips, updates etc. is available on our website: ["http://www.fujitsu.com/fts/"](http://www.fujitsu.com/fts/)

You can find driver updates at: ["http://support.ts.fujitsu.com/download"](http://support.ts.fujitsu.com/download)

Should you have any technical questions, please contact:

- our Hotline/Service Desk (see Service Desk list or from the Internet at: ["http://support.ts.fujitsu.com/contact/servicedesk"](http://support.ts.fujitsu.com/contact/servicedesk))
- Your sales partner
- Your sales office

We hope you enjoy using your new Fujitsu system!





**Published by / Contact address in the EU**

Fujitsu Technology Solutions GmbH

Mies-van-der-Rohe-Straße 8

80807 Munich, Germany

["http://www.fujitsu.com/fts/"](http://www.fujitsu.com/fts/)

**Copyright**

© Fujitsu Technology Solutions GmbH 2015. All rights reserved.

**Publication Date**

08/2015

Order No.: A26361-K1502-Z320-1-7619, edition 1

# **ESPRIMO P556**

# **ESPRIMO PH556**

## **Operating Manual**

<b>Your ESPRIMO</b>	<b>5</b>
<b>Important notes</b>	<b>7</b>
<b>Getting started</b>	<b>11</b>
<b>Operation</b>	<b>18</b>
<b>Troubleshooting and tips</b>	<b>24</b>
<b>System expansions</b>	<b>28</b>
<b>Technical specification</b>	<b>43</b>
<b>Index</b>	<b>44</b>

**Remarks**

Information on the product description meets the design specifications of Fujitsu and is provided for comparison purposes. Several factors may cause the actual results to differ. Technical data is subject to change without prior notification. Fujitsu rejects any responsibility with regard to technical or editorial mistakes or omissions.

**Trademarks**

Fujitsu, the Fujitsu logo and ESPRIMO are registered trademarks of Fujitsu Limited or its subsidiaries in the United States of America and other countries.

Kensington, MicroSaver and K-Slot are registered trademarks of ACCO Brands.

Microsoft and Windows are trademarks or registered trademarks of the Microsoft Corporation in the United States and/or other countries.

All other trademarks specified here are the property of their respective owners.

**Copyright**

No part of this publication may be copied, reproduced or translated without the prior written consent of Fujitsu.

No part of this publication may be saved or transferred by any electronic means without the written approval of Fujitsu.

# Contents

<b>Your ESPRIMO</b> .....	<b>5</b>
Validity of the Reference Manual .....	5
Notational conventions .....	6
<b>Important notes</b> .....	<b>7</b>
Safety information .....	7
Transporting the device .....	7
Cleaning the device .....	8
Energy saving, disposal and recycling .....	8
CE marking .....	9
FCC Compliance Statement .....	10
FCC Class B Compliance Statement .....	10
FCC Radiation Exposure Statement .....	10
<b>Getting started</b> .....	<b>11</b>
Unpacking and checking the delivery .....	11
Steps for initial setup .....	11
Setting up the device .....	12
Connecting the device to the mains supply .....	12
Connecting external devices .....	13
Ports on the device .....	13
Connecting a monitor .....	14
Connecting the mouse .....	14
Connecting the keyboard .....	14
Connecting external devices to the serial interface .....	15
Connecting external devices to the USB ports .....	15
Switching on for the first time: installing the software .....	16
Switching on monitor and device .....	17
Installing the software .....	17
<b>Operation</b> .....	<b>18</b>
Switch the device on .....	18
Switching off the device .....	18
Indicators on the device .....	19
Keyboard .....	20
Important keys and keyboard shortcuts .....	20
Settings in BIOS Setup .....	21
Property and data protection .....	22
Anti-theft protection and lead-sealing .....	22
BIOS setup security functions .....	23
Access authorisation via SmartCard .....	23
<b>Troubleshooting and tips</b> .....	<b>24</b>
Help if problems occur .....	24
Troubleshooting .....	24
Power indicator remains off after you have switched on your device .....	24
The device cannot be switched off with the ON/OFF switch. ....	25
Monitor remains blank .....	25
No mouse pointer displayed on the screen .....	26
Time and/or date is not correct .....	26
Error messages on the screen .....	26
Installing new software .....	26

Restoring hard disk contents .....	27
Tips .....	27
<b>System expansions .....</b>	<b>28</b>
Information about boards .....	29
Opening the casing .....	30
Closing the casing .....	31
Overview of the drive bays and drives in your device .....	31
Installing and removing the accessible 5 <sup>1</sup> / <sub>4</sub> inch drive .....	32
Removing an accessible drive .....	32
Installing an accessible drive .....	32
Installing and removing an accessible 3 <sup>1</sup> / <sub>2</sub> inch drive .....	34
Installing an accessible drive .....	34
Removing an accessible drive .....	35
Installing and removing the hard disk drive .....	36
Removing a hard disk drive .....	36
Installing a hard disk drive .....	37
Installing and removing a board .....	38
Board installing .....	38
Board removing .....	39
Mainboard expansions .....	41
Upgrading main memory .....	41
Processor, replacing .....	41
Replacing the lithium battery .....	42
<b>Technical specification .....</b>	<b>43</b>
<b>Index .....</b>	<b>44</b>



# Your ESPRIMO

... is available with various configuration levels which differ in terms of hardware and software equipment. You can install additional drives (for example a DVD drive) and other boards.

This manual tells you how to start using your device and how to operate it in daily use. This manual applies for all configuration levels. Depending on the chosen configuration level, some of the hardware components described may not be available on your PC. Please also read the notes about your operating system.

Depending on the configuration selected, the operating system is preinstalled on your hard disk (e.g. Windows).

Further information on this device is provided:







- in the "Quick Start Guide" poster
- in the "Safety/regulations" manual
- in the "Warranty" manual
- in the "BIOS Setup" manual
- in the operating manual for the monitor
- in the manual for the mainboard
- in your operating system documentation
- in the information files (e.g. \*.PDF, \*.HTML, \*.DOC, \*.CHM, \*.TXT, \*.HLP)

## Validity of the Reference Manual

This Reference Manual is valid for the following systems:

- ESPRIMO P556
- ESPRIMO PH556

## Notational conventions

	Pay particular attention to text marked with this symbol. Failure to observe these warnings could pose a risk to health, damage the device or lead to loss of data. The warranty will be invalidated if the device becomes defective through failure to observe these warnings.
	Indicates important information for the proper use of the device.
	Indicates an activity that must be performed
	Indicates a result
<b>This font</b>	indicates data entered using the keyboard in a program dialogue or at the command line, e.g. your password ( <b>Name123</b> ) or a command used to start a program ( <b>start.exe</b> )
This font	indicates information that is displayed on the screen by a program, e.g.: Installation is complete.
<i>This font</i>	indicates <ul style="list-style-type: none"> <li>terms and texts used in a software interface, e.g.: Click on <i>Save</i></li> <li>names of programs or files, e.g. <i>Windows</i> or <i>setup.exe</i>.</li> </ul>
"This font"	indicates <ul style="list-style-type: none"> <li>cross-references to another section, e.g. "Safety information"</li> <li>cross-references to an external source, e.g. a web address: For more information, go to <a href="http://www.fujitsu.com/fts">"http://www.fujitsu.com/fts"</a></li> <li>Names of CDs, DVDs and titles or designations for other materials, e.g.: "CD/DVD Drivers &amp; Utilities" or "Safety/Regulations" manual</li> </ul>
	indicates a key on the keyboard, e.g: 
<b>This font</b>	indicates terms and texts that are emphasised or highlighted, e.g.: <b>Do not switch off the device</b>

# Important notes

In this chapter you will find information regarding safety which it is essential to take note of when working with your device.

## Safety information



Please note the information provided in the "Safety/regulations" manual and in the following safety notes.

When installing and operating the device, please observe the notes on environmental conditions in Chapter "[Technical specification](#)", [Page 43](#) as well as the instructions in Chapter "[Getting started](#)", [Page 11](#).

When setting up the device, make sure there is clearance all around it so that the casing receives enough ventilation. In order to avoid overheating, do not cover the ventilation areas of the monitor or the device.

You must only operate the device if the rated voltage used by the device is set to the local mains voltage.

The main switch (if present) and the ON/OFF switch do not disconnect the device from the mains voltage. To completely disconnect from the mains voltage, remove the power plug from the power socket.

Only operate the device with the casing closed.

Replace the lithium battery on the mainboard in accordance with the instructions in "[Replacing the lithium battery](#)", [Page 42](#).

Caution, components in the system can get very hot.

The activities described in these instructions must always be performed with the greatest care.

Repairs to the device must only be performed by qualified technicians. Incorrect repairs could put the user at great risk or cause serious damage to the equipment (electric shock, risk of fire).

## Transporting the device



Transport all parts separately in their original packaging or in a packaging which protects them from knocks and jolts, to the new site.

Do not unpack them until all transportation manoeuvres are completed.

If the device is brought from a cold environment into the room where it will be used, condensation may occur. Before operating the device, wait until it is absolutely dry and has reached approximately the same temperature as the installation site.

## Cleaning the device



Turn off all power and equipment switches and disconnect the power plug from the mains outlet.

Do not clean any interior parts yourself, leave this job to a service technician.

Do not use any cleaning agents that contain abrasives or may corrode plastic (alcohol, thinner or acetone).

Never clean the device with water! Water entering into the device could present a serious risk to users (e.g. electric shock).

Ensure that no liquid enters the system.

The surface can be cleaned with a dry cloth. If particularly dirty, use a cloth that has been moistened in mild domestic detergent and then carefully wrung out.

Use disinfectant wipes to clean the keyboard and the mouse.

## Energy saving, disposal and recycling

You can find information on these subjects in the "Environment and Energy Information" manual or on our website (["http://www.fujitsu.com/fts/about/fts/environment-care/"](http://www.fujitsu.com/fts/about/fts/environment-care/)).

## CE marking

The shipped version of this device complies with the requirements of EU directives 2004/108/EC "Electromagnetic compatibility", 2006/95/EC "Low voltage directive", 2011/65/EC "RoHS directive" and 2009/125/EC "ecodesign directive".

### CE marking for devices with radio component

This equipment complies with the requirements of Directive 1999/5/EC of the European Parliament and Commission from 9 March, 1999 governing Radio and Telecommunications Equipment and mutual recognition of conformity.

CE nnnn (!) ; nnnn: For digits and exclamation mark (!), see label on the product.

You can find more information and declarations of conformity on the Internet at: ["http://globalsp.ts.fujitsu.com/sites/certificates"](http://globalsp.ts.fujitsu.com/sites/certificates).

This equipment can be used in the following countries:

Belgium	Bulgaria	Denmark	Germany
Estonia	Finland	France	Greece
UK	Ireland	Iceland	Italy
Croatia	Latvia	Liechtenstein	Lithuania
Luxembourg	Malta	Netherlands	Norway
Austria	Poland	Portugal	Rumania
Sweden	Switzerland	Slovakia	Slovenia
Spain	Turkey	Czech Republic	Hungary
Cyprus			

Contact the corresponding government office in the respective country for current information on possible operating restrictions. If your country is not included in the list, then please contact the corresponding supervisory authority as to whether the use of this product is permitted in your country.

## FCC Compliance Statement

If the device complies with the FCC regulations, the FCC sign can be found on the type rating plate.

### FCC Class B Compliance Statement

#### DOC (INDUSTRY CANADA) NOTICES

##### Notice to Users of Radios and Television :

This class B digital apparatus complies with Canadian ICES-003.

The following statement applies to the products covered in this manual, unless otherwise specified herein. The statement for other products will appear in the accompanying documentation.

#### NOTE:

This equipment has been tested and found to comply with the limits for a "Class B" digital device, pursuant to Part 15 of the FCC rules and meets all requirements of the Canadian Interference-Causing Equipment Standard ICES-003 for digital apparatus. These limits are designed to provide reasonable protection against harmful interference in a residential installation. This equipment generates, uses and can radiate radio frequency energy and, if not installed and used in strict accordance with the instructions, may cause harmful interference to radio communications. However, there is no guarantee that interference will not occur in a particular installation. If this equipment does cause harmful interference to radio or television reception, which can be determined by turning the equipment off and on, the user is encouraged to try to correct the interference by one or more of the following measures:

- Reorient or relocate the receiving antenna.
- Increase the separation between equipment and the receiver.
- Connect the equipment into an outlet on a circuit different from that to which the receiver is connected.
- Consult the dealer or an experienced radio/TV technician for help.

Fujitsu not responsible for any radio or television interference caused by unauthorized modifications of this equipment or the substitution or attachment of connecting cables and equipment other than those specified by Fujitsu. The correction of interferences caused by such unauthorized modification, substitution or attachment will be the responsibility of the user.

The use of shielded I/O cables is required when connecting this equipment to any and all optional peripheral or host devices. Failure to do so may violate FCC and ICES rules.

### FCC Radiation Exposure Statement

This equipment complies with FCC radiation exposure limits set forth for an uncontrolled environment.

The transmitters in this device must not be co-located or operated in conjunction with any other antenna or transmitter.

To prevent radio interference to the licensed service, this device is intended to be operated indoors and away from windows to provide maximum shielding. Equipment (or its transmit antenna) that is installed outdoors is subject to licensing.

Users are not authorized to modify this product. Any modifications invalidate the warranty.

This equipment may not be modified, altered, or changed in any way without signed written permission from Fujitsu. Unauthorized modification will void the equipment authorization from the FCC and Industry Canada and the warranty.

# Getting started



Please observe the safety information in the ["Important notes", Page 7](#) chapter.

## Unpacking and checking the delivery

It is recommended not to throw away the original packaging material! It may be required for reshipment at some later date.

- ▶ Unpack all the individual parts.
- ▶ Check the contents of the package for any visible damage caused during transport.
- ▶ Check whether the delivery conforms to the details in the delivery note.
- ▶ Should you discover that the delivery does not correspond to the delivery note, notify your local sales outlet immediately.

## Steps for initial setup

Only a few steps are necessary to put your new device into operation for the first time:

- Select a location for device and set up device
- Connect external devices such as mouse, keyboard and monitor
- Check the voltage at the mains outlet and connect the device to an electrical outlet
- Switch the device on

You will learn more about the individual steps in the following sections.

### External devices



If you have received other external devices in addition to your own device (e.g. a printer), do not connect these until after the initial installation. The following sections describe how to connect these external devices.

### Drives and boards



If you have received drives or boards with your device, please do not install them until after first-time setup. How to install drives and boards is described in the ["System expansions", Page 28](#) chapter.

## Setting up the device



When installing your device, please read the recommendations and safety notes in the "Safety/regulations" manual.

We recommend that you place your device on a surface which is not slippery. In view of the many different finishes and varnishes used on furniture, it is possible that the rubber feet will mark the surface they stand on.

Depending on the location of your device, bothersome vibrations and noises may occur. To prevent this, a distance of at least 10 mm / 0.39" should be maintained from other devices on casing sides without ventilation surfaces.

In order to avoid overheating, do not cover the ventilation areas of the monitor or the device.

A minimum distance of 200 mm / 7.87" from the device must be observed for ventilation areas.

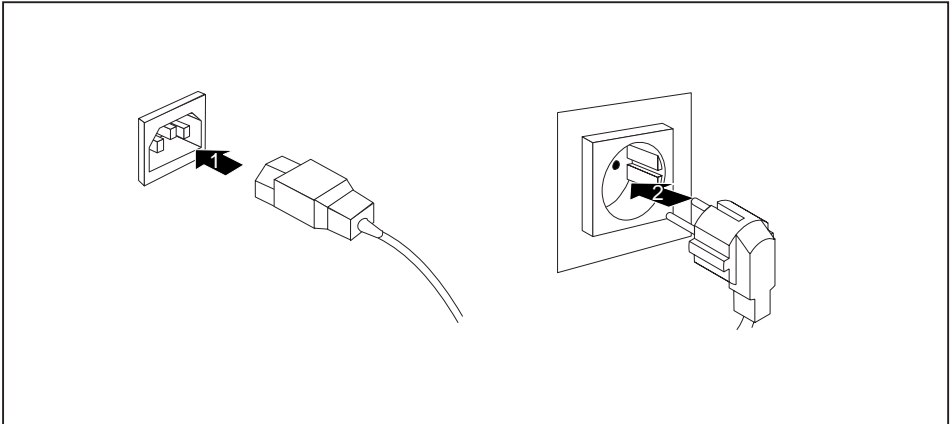
Do not stack several devices on top of each other.

Do not expose the device to extreme ambient conditions (see "[Technical specification](#)", [Page 43](#), section "Ambient conditions"). Protect the device against dust, humidity and heat.

### Operating position

Use the device only in the vertical operating position.

## Connecting the device to the mains supply



- ▶ Connect the power cable to the device (1).
- ▶ Plug the power plug into a grounded mains outlet (2).



## Connecting external devices



Read the documentation on the external device before connecting it.

With the exception of USB devices, always remove all power plugs before connecting external devices!

Do not connect or disconnect cables during a thunderstorm.

Always take hold of the actual plug. Never unplug a cable by pulling the cable itself.

## Ports on the device



The ports available on your device depend on the selected device configuration level.

The ports are located on the front and back of the device. The ports available on your device depend on the configuration level you have selected. The standard ports are marked with the symbols shown below (or similar). Detailed information on the location of the ports is provided in the manual for the mainboard.



DVI monitor port, white



VGA monitor port, blue



Microphone jack



Audio input (Line In)



Headphones port



Audio output (Line Out)



USB 2.0 - Universal Serial Bus, black

LAN

LAN port



USB 3.0 - Universal Serial Bus, blue



Keyboard port, purple



PS/2 mouse port, green

**e-Sata**

e-SATA port

**S/PDIF**

S/PDIF port



Serial port, turquoise

**DP**

DisplayPort



Some of the peripherals require special software (e.g. drivers) (refer to the documentation for the peripheral and operating system).

## Connecting a monitor

- ▶ Follow the instructions contained in the monitor manual to prepare the monitor for operation (e.g. connecting cables).
- ▶ Connect the data cable of the monitor into the monitor port of your device.



The optional monitor power cable may only be connected to the monitor socket of the device if the monitor current consumption is less than 1 A with 240 V or 2 A with 100 V. The values for the monitor current consumption can be found in the technical data on the monitor or in the operating manual for the monitor.

- ▶ Plug the monitor power cable into the grounded mains outlet.

## Connecting the mouse

You can connect a USB mouse or a PS/2 mouse to your device.

### Connecting a USB mouse

- ▶ Connect the USB mouse to one of the USB ports on the device.

### Connecting a PS/2 mouse



The PS/2 mouse is only detected by the device if you connect the mouse when the device is switched off and then switch the device on again.

- ▶ Connect the PS/2 mouse to the PS/2 mouse port of the device.
- ▶ Switch your device on again.

## Connecting the keyboard

You can connect a USB keyboard or a PS/2 keyboard to your device.

### Connecting a USB keyboard

Use the supplied keyboard cable only.

- ▶ Insert the flat rectangular USB plug of the keyboard cable into one of the device's USB ports.

### Connecting a PS/2 keyboard

Use the supplied keyboard cable only.



The PS/2 keyboard is only detected by the device if you connect the keyboard when the device is switched off and then switch the device on again.

- ▶ Switch your device off.
- ▶ Plug the round plug of the keyboard cable into the keyboard port on the device.
- ▶ Switch your device on again.

---

## Connecting external devices to the serial interface

External devices (e.g. a printer or scanner ) can be connected to the serial port.

- ▶ Connect the data cable to the external device.
- ▶ Connect the data cable to the corresponding serial interface.
- ↳ For an exact description of how to connect external devices to the corresponding port, please see the external device documentation.

### Port settings



You can change the port settings (e.g. address, interrupt) in the *BIOS Setup*.

### Device drivers



The devices connected to the serial interface require drivers. Your operating system already includes many drivers. If the required drive is missing, install it. The latest drivers are usually available on the Internet or will be supplied on a data carrier.

## Connecting external devices to the USB ports

You can connect a wide range of external devices to the USB ports (e.g. printer, scanner, modem or keyboard).



USB devices are hot-pluggable. This means you can connect and disconnect USB cables while your device is switched on.

Additional information can be found in the documentation for the USB devices.

- ▶ Connect the data cable to the external device.
- ▶ Connect the data cable to one of the USB ports on your device.

### Device drivers



The external USB devices you connect to the USB ports usually require no driver of their own, as the required software is already included in the operating system. If the device requires separate software, please note the information in the manufacturer's manual.

## Switching on for the first time: installing the software



Once the installation has been started the device must not be switched off, unless the installation has been completed.

During installation, the device may only be rebooted when you are requested to do so!

The installation will otherwise not be carried out correctly and the contents of the hard disk must be completely restored.



If the device is integrated into a network, the user and server details as well as the network protocol are required during the software installation.

Contact your network administrator if you have any questions about these settings.

When you switch on the device for the first time, the supplied software is installed and configured. Plan a reasonable amount of time for this, as this process must not be interrupted.

You may need the licence number for Windows during the installation. You can find the licence number as a label on your device (no longer applies to Windows 8 or higher).

## Switching on monitor and device

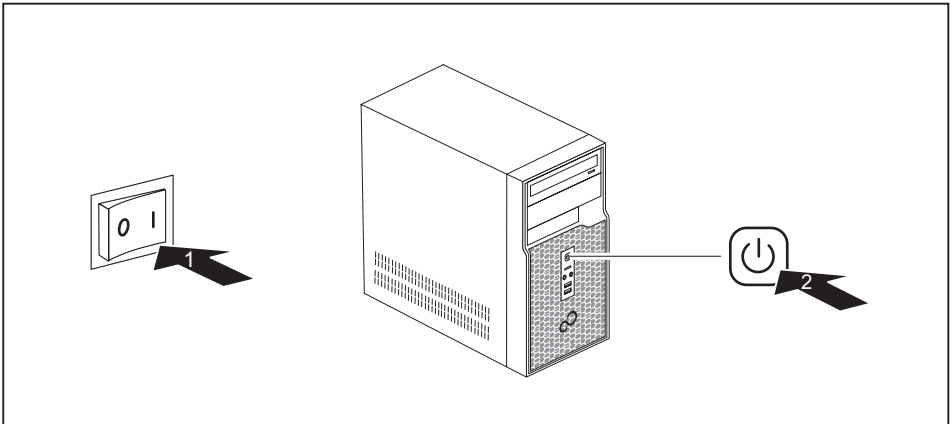


In order to avoid overheating, do not cover the ventilation areas of the monitor or the device.



Depending on the version, the device may be equipped with a main power switch on the back of the device in addition to the ON/OFF button on the front.

- ▶ Switch the monitor on (see the operating manual for the monitor).
- ▶ Switch the device on. To do this, follow the instructions below.



- ▶ Turn the main switch on the back of the device to the "I" position (1).
- ▶ Press the ON/OFF switch on the front of the device (2).
- ↳ The power indicator lights up and the device is started.

## Installing the software

- ▶ During installation, follow the on-screen instructions.
- ▶ If anything is unclear regarding the data you are asked to input, read the online Help in your operating system.



You will find more information on the system, as well as drivers, utilities and updates on the "Drivers & Utilities" DVD and on the Internet at "<http://www.fujitsu.com/fts/support>".

You can find information and help on the Windows operating system functions on the Internet at "<http://windows.microsoft.com>".

# Operation

## Switch the device on

- ▶ If necessary, switch the monitor on (see the operating manual for the monitor).
- ▶ Switch on the device using the main power switch located on the rear of the device (if present).
- ▶ Press the ON/OFF switch on the front of the device.
- ↳ The power indicator glows and the device starts.

## Switching off the device

- ▶ Shut down the operating system in a defined manner. In Windows: via the *Start* menu and the *Turn Off Computer* function.
- ▶ If the operating system does not automatically switch the device into energy-saving mode or switch it off, press the ON/OFF switch. Warning, this could lead to a loss of data!
- ↳ If the device is switched off, it consumes a minimum of energy.
- ▶ Switch the device off at the main switch (if present).
- ↳ The device no longer uses any power.

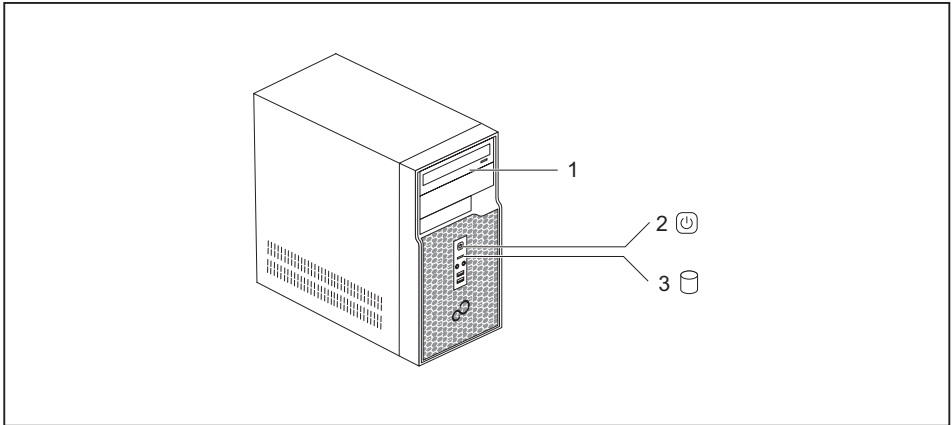


The main switch and the ON/OFF switch do not disconnect the device from the mains voltage. To completely disconnect from the mains voltage, remove the power plug from the power socket.

- ▶ If necessary, switch the monitor off (see the operating manual for the monitor).

## Indicators on the device

The indicators are on the front of the casing. Which indicators are available on your device depends on the configuration level you have selected.



1 = Drive indicator, e.g. DVD

3 = Hard disk indicator

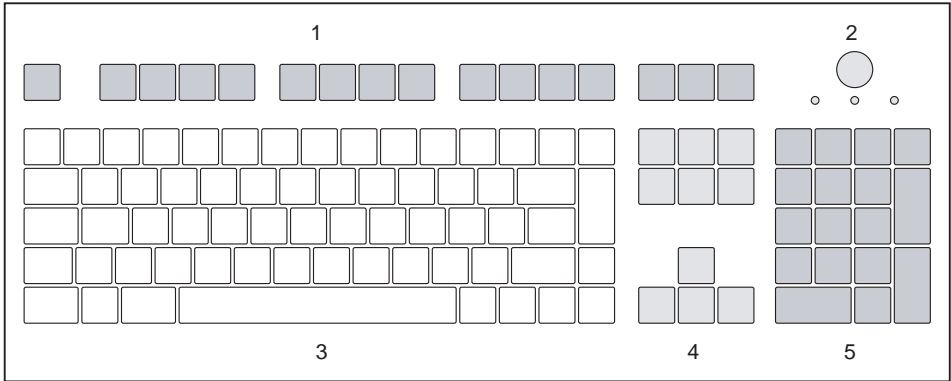
2 = Power-on indicator

No.	Indicator	Description
1	Drive indicator	The indicator lights up when the CD-ROM or DVD drive in the device is accessed. Never under any circumstances remove the CD/DVD while the indicator is lit.
2	Power-on indicator	<p><b>Caution:</b> When energy saving mode is active, the device must not be switched off at the main power switch (if present) or disconnected from the mains, as this may result in data loss.</p> <ul style="list-style-type: none"> <li>The indicator is illuminated: The device is switched on.</li> <li>The indicator is flashing: The device is in energy-saving mode. After being switched on with the ON/OFF switch, the device powers up or returns to the state it was in before it entered energy-saving mode.</li> <li>The indicator is not lit: The device is switched off.</li> </ul>
3	Hard disk indicator	The indicator lights up when the hard disk drive of the device is accessed.

# Keyboard



The illustrated keyboard is an example and may differ from the model you use.








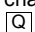


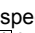



- 1 = Function keys
- 2 = On/off switch (optional)
- 3 = Alphanumeric keypad
- 4 = Cursor keys
- 5 = Numeric keypad (calculator keypad)

## Important keys and keyboard shortcuts

The description of the following keys and keyboard shortcuts applies to Microsoft operating systems. Details of other keys and keyboard shortcuts can be found in the documentation for the relevant application program.

Key / key combination	Description
	<p><b>On/off switch (optional)</b></p> <p>Depending on the setting in the <i>BIOS Setup</i>, the device can be switched on or off with this switch. Some operating systems allow you to configure additional functions of the ON/OFF switch in the Control Panel.</p> <p>With some keyboards the ON/OFF switch can only be used with an ACPI (Advanced Configuration and Power Management Interface). Otherwise the key is inoperative. The mainboard must support this function.</p>
	<p><b>Enter key</b></p> <p>confirms the highlighted selection. The Enter key is also referred to as the "Return" key.</p>



Key / key combination	Description
	<b>Windows key (device-dependent: variant 1)</b> calls up the Windows <i>Start</i> menu.
	<b>Menu key (device-dependent: variant 1)</b> calls up the menu for the marked item (Windows).
	<b>Windows key (device-dependent: variant 2)</b> Switches between the start screen and the last used application.
	<b>Menu key (device-dependent: variant 2)</b> Opens the menu for the active application.
	<b>Shift key</b> enables upper-case letters and the upper key symbols to be displayed.
Alt Gr	<b>Alt Gr key (country-dependent)</b> produces a character shown on the bottom right of a key (e.g. the @ sign on the  key).
	<b>Num Lock key</b> By pressing the Num Lock key you switch between the upper- and lower-case levels of the calculator keypad. When the Num Lock indicator is lit the numeric keypad and arithmetic keys are active. When the Num Lock indicator is not lit the cursor control functions on the Numeric keypad are active.
	<b>Ctrl key</b> performs a special operation when pressed in conjunction with another key. The  key is also called the "Control" or "Control key".
 +  + 	<b>Windows Security/Task Manager</b> This key combination opens the Windows Security/Task Manager window.

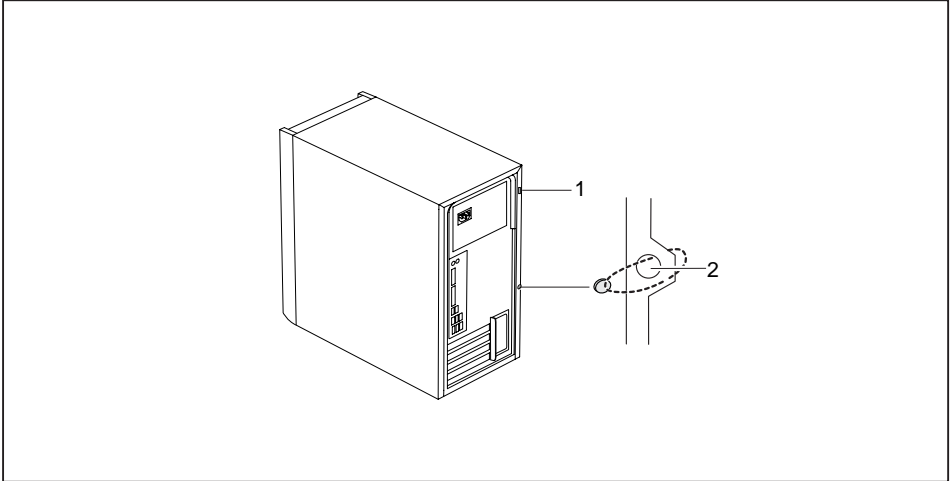
## Settings in BIOS Setup

In *BIOS Setup*, you can set the system functions and the hardware configuration of the device. When the PC is delivered, the default entries are valid (see "BIOS Setup" manual or manual for the mainboard). You can customise these settings to your requirements in the *BIOS Setup*.

## Property and data protection

Software functions and mechanical locking offer a broad range of functions for protecting your device and your personal data against theft and unauthorised access. You can also combine these functions.

### Anti-theft protection and lead-sealing



1 = Device for Security Lock

2 = Holes for padlock

#### Anti-theft protection

You can protect your device from theft

- with the Security Lock device (1) and a Kensington MicroSaver. Please consult the manual for your Security Lock.
- with the holes (2) and a padlock and chain which you have connected to a fixed object beforehand.

#### Lead-sealing

To prevent unauthorised persons from opening the system unit, the casing can be lead-sealed. To do this, feed the sealing chain through the holes (2) and seal the chain with the lead seal.

## BIOS setup security functions

The *Security* menu in *BIOS Setup* offers you various options for protecting your personal data against unauthorized access, e.g.:

- Preventing unauthorised access to *BIOS Setup*
- Preventing unauthorised system access
- Preventing unauthorised access to the settings of boards with their own BIOS
- Issuing virus warnings
- Protecting BIOS from overwriting
- Protecting the device from being switched on by an external device

You can also combine these functions.

You will find a detailed description of the *Security* menus and how to assign passwords in the manual for the mainboard or in the "BIOS Setup" manual.

## Access authorisation via SmartCard

In systems equipped with a SmartCard reader, access can be restricted to those users who have a corresponding SmartCard.

# Troubleshooting and tips



Refer to the safety notes in the "Safety/regulations" manual and in the ["Getting started", Page 11](#) chapter when connecting or disconnecting cables.

If a fault occurs, try to correct it as described in the following documentation:

- in this chapter
- in the documentation for the connected devices
- in the help systems of the software used
- in the documentation for your operating system

## Help if problems occur

Should you encounter a problem with your computer that you cannot resolve yourself:

- ▶ Note the ID number of your device. The ID number is found on the type rating plate on the back, the underside or the top of the casing.
- ▶ For further clarification of the problem, contact the Service Desk for your country (see the Service Desk list or visit the Internet at "<http://support.ts.fujitsu.com/contact/servicedesk>"). When you do this, please have ready the identity number and serial number of your system.

## Troubleshooting

### Power indicator remains off after you have switched on your device

Cause	Remedy
The mains voltage supply is faulty.	<ul style="list-style-type: none"><li>▶ Check that the power cable is correctly plugged into the device and into a grounded mains outlet.</li><li>▶ Check that the main switch at the rear of the device is set to the "I" position.</li><li>▶ Switch the device on.</li></ul>
Internal power supply overloaded.	<ul style="list-style-type: none"><li>▶ Pull the power plug of the device out of the mains outlet.</li><li>▶ Wait for about 3 minutes.</li><li>▶ Plug the power plug into a properly grounded mains outlet again.</li><li>▶ Switch the device on.</li></ul>

## The device cannot be switched off with the ON/OFF switch.

Cause	Remedy
System crash	<ul style="list-style-type: none"> <li>▶ Keep the on/off switch pressed for at least 4 seconds until the machine switches off.</li> </ul> <p>Caution: This can lead to a loss of data!</p> <p>This procedure does not allow the operating system to shut down in an orderly way. The next time the system is started there may well be error messages.</p>

## Monitor remains blank

Cause	Remedy
Monitor is switched off	<ul style="list-style-type: none"> <li>▶ Switch your monitor on.</li> </ul>
Power saving has been activated (screen is blank)	<ul style="list-style-type: none"> <li>▶ Press any key on the keyboard.</li> </ul> <p>or</p> <ul style="list-style-type: none"> <li>▶ Deactivate the screen saver. If necessary, enter the appropriate password.</li> </ul>
Brightness control is set to dark	<ul style="list-style-type: none"> <li>▶ Adjust the brightness control. For detailed information, please refer to the operating manual supplied with your monitor.</li> </ul>
Power cable not connected	<ul style="list-style-type: none"> <li>▶ Switch off the monitor and the device.</li> <li>▶ Check that the monitor power cable is properly connected to the monitor and to a grounded mains outlet or to the monitor socket of the device.</li> <li>▶ Check that the device power cable is properly plugged into the device and a grounded mains outlet.</li> <li>▶ Switch on the monitor and the device.</li> </ul>
Monitor cable not connected	<ul style="list-style-type: none"> <li>▶ Switch off the monitor and the device.</li> <li>▶ Check that the monitor cable is properly connected to the device and monitor.</li> <li>▶ Switch on the monitor and the device.</li> </ul>
Incorrect setting for the monitor	<ul style="list-style-type: none"> <li>▶ Restart the system.</li> <li>▶ Press <b>[F8]</b> while the system is booting.</li> <li>▶ Start the system in Safe Mode.</li> <li>▶ Set up the monitor as described in the documentation for your operating system and monitor.</li> </ul>

## No mouse pointer displayed on the screen

Cause	Remedy
The mouse is not correctly connected.	<ul style="list-style-type: none"> <li>▶ Shut down the operating system properly.</li> <li>▶ Switch the device off.</li> <li>▶ Check that the mouse cable is properly connected to the system unit. If you use an adapter or extension lead with the mouse cable, check the connections.</li> <li>▶ Switch the device on.</li> </ul>
The mouse controller is not enabled.	<ul style="list-style-type: none"> <li>▶ Check in the <i>BIOS-Setup</i> whether the mouse controller is <i>enabled</i>.</li> <li>▶ Check that the mouse driver is properly installed and is present when the application programme is started. Detailed information can be found in the user guide for the mouse and application programme.</li> </ul>

## Time and/or date is not correct

Cause	Remedy
Time and date are incorrect.	<ul style="list-style-type: none"> <li>▶ Set the correct time and date within the operating system you are using.</li> </ul> <p style="text-align: center;"><b>or</b></p> <ul style="list-style-type: none"> <li>▶ Set the correct time and/or date in the <i>BIOS Setup</i>.</li> </ul>
The lithium battery is discharged.	<ul style="list-style-type: none"> <li>▶ If the time and date are repeatedly wrong when you switch on your device, replace the lithium battery (see <a href="#">"Replacing the lithium battery", Page 42</a>).</li> </ul>

## Error messages on the screen

Error messages and their explanations are provided:

- in the technical manual for the mainboard
- in the documentation for the programs used

## Installing new software

When installing programs or drivers, important files may be overwritten and modified. To be able to access the original data in the event of any problems following installation, you should backup your hard disk prior to installation.

## Restoring hard disk contents

Should you need to restore your hard disk, the instructions are provided on the case of the "Recovery DVD" (delivered with your system).

### Tips

Topic	Tip
Out of system resources	<ul style="list-style-type: none"> <li>▶ Close unnecessary applications.</li> </ul> <p><b>or</b></p> <ul style="list-style-type: none"> <li>▶ Run the applications in a different order.</li> </ul>
Other manuals	Further manuals are provided as PDF files on the "Drivers & Utilities" DVD.

# System expansions



Repairs to the device must only be performed by qualified technicians. Incorrect repairs may greatly endanger the user (electric shock, fire risk) and will invalidate your warranty.

After consulting the Hotline/Help Desk, you may remove and install the components described in this manual yourself.



As the device has to be shut down in order to install/deinstall system hardware components, it is a good idea to print out the relevant sections of this chapter beforehand.

The following illustrations may differ slightly from your device, depending on its configuration level.

If further documentation was delivered with your device, please also read this through carefully.

In addition, before removing or installing system components, please pay attention to the following:



The device must be switched off when installing/removing the system expansions and may not be in energy-saving mode.

Remove the power plug before opening the device.

Be careful that no wires become trapped when removing or installing components.

When installing components that become very hot, make sure that the maximum permissible temperature of the components in operation is not exceeded.



An update of the BIOS may be required for a system expansion or hardware upgrade. Further information can be found in the BIOS help section or if necessary in the Technical Manual for the mainboard.



## Information about boards

Take care with the locking mechanisms (catches and centring pins) when you are replacing boards or components on boards.

Note that some components on the mainboard may be very hot if the device was in use shortly before the casing was removed.

To prevent damage to the board or the components and conductors on it, please take care when you insert or remove boards. Make sure expansion boards are inserted straightly.

Never use sharp objects (screwdrivers) for leverage.



Boards with electrostatic sensitive devices (ESD) are identifiable by the label shown.

When handling boards fitted with ESDs, you must always observe the following points:

- You must always discharge static build up (e.g. by touching a grounded object) before working.
- The equipment and tools you use must be free of static charges.
- Only touch or hold the boards by the edge or, if present, at the areas marked green (Touch Points).
- Never touch pins or conductors on boards fitted with ESDs.

## Opening the casing

- ▶ Switch the device off. The device must not be in power-saving mode.

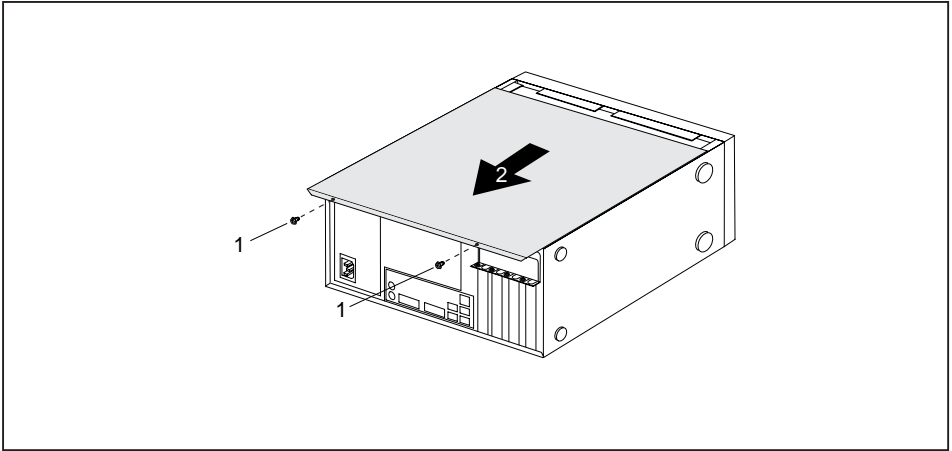


Please observe the safety information in "[Important notes](#)", [Page 7](#).

Disconnect the mains plug from the mains outlet.

Only insert the power plug after you have closed the casing.

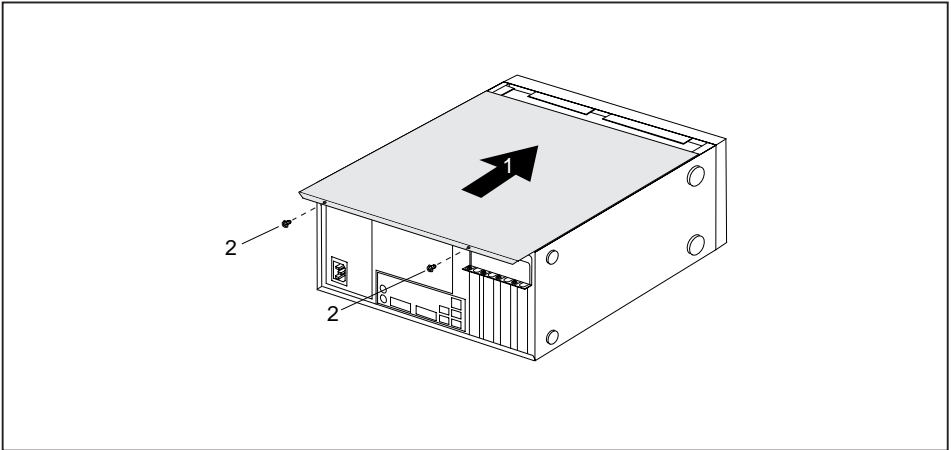
- ▶ Remove any connected wires which are in the way.
- ▶ Lay the device on its side in the manner shown below.



- ▶ Remove the casing screws (1).
- ▶ Slide the side cover from the casing in the direction of the arrow (2).

## Closing the casing

- ▶ Insert the side part in the guide rail on the lower part of the casing.



- ▶ Slide the side cover onto the casing in the direction of the arrow (1).
- ▶ Tighten the casing screws (2).
- ▶ Reconnect the cables that you disconnected before.

## Overview of the drive bays and drives in your device

The casing has space for several accessible and non-accessible drives:

- two drive bays for accessible 5<sup>1</sup>/<sub>4</sub> inch drives
- one drive bay for an accessible 3<sup>1</sup>/<sub>2</sub> inch drive
- two drive bays for non-accessible 3<sup>1</sup>/<sub>2</sub>" or 2<sup>1</sup>/<sub>2</sub>" drives.

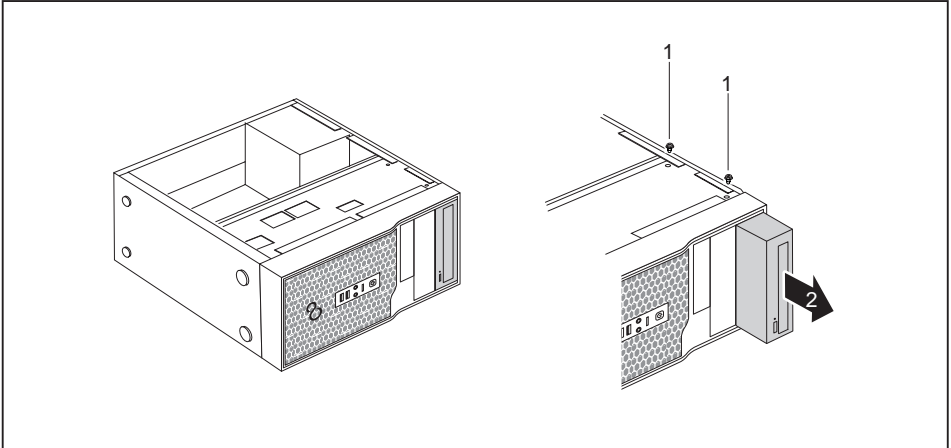


"Accessible drives" are e.g. DVD or CD ROM drives, into which a data medium can be inserted from outside. "Non-accessible drives" are for example hard disk drives.

## Installing and removing the accessible 5 1/4 inch drive

### Removing an accessible drive

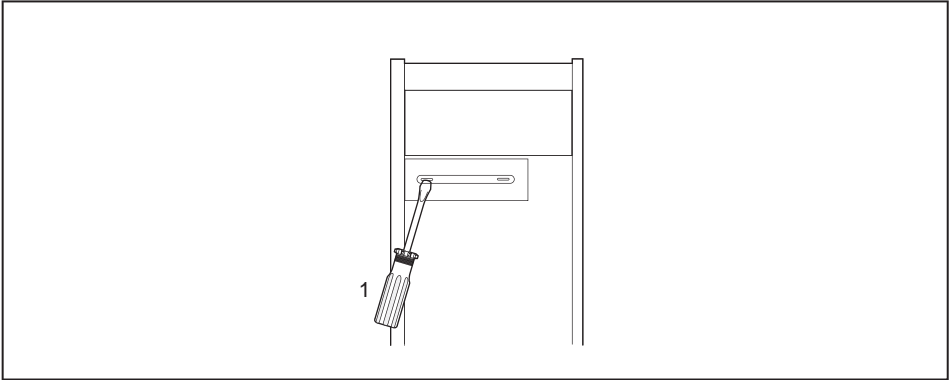
- ▶ Open the casing (see ["Opening the casing", Page 30](#)).
- ▶ Disconnect the cables connected to the drive.



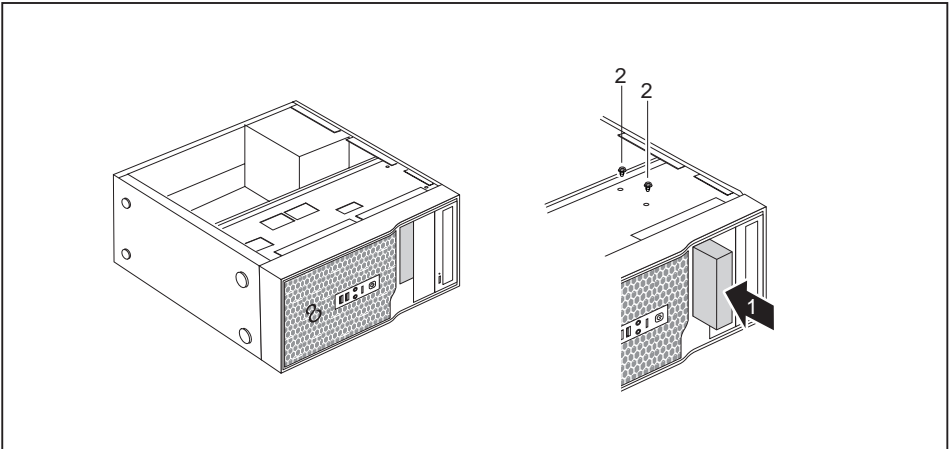
- ▶ Loosen the screws (1).
- ▶ Working from behind, slide the drive a short distance out of the bay in the direction of the arrow (2).
- ↳ The drive now protrudes slightly out of the casing.
- ▶ Pull the drive out of the casing (2).
- ▶ If necessary, make the required settings on the remaining hard disk drive.

### Installing an accessible drive

- ▶ Open the casing (see ["Opening the casing", Page 30](#)).
- ▶ If there is an accessible drive, please remove it (see ["Removing an accessible drive", Page 32](#)).
- ▶ Remove the front panel from the casing.
- ▶ From the inside, press the plastic drive cover out of the front panel.



- ▶ Break out the pre-stamped metal cover on the drive bay opening with a screwdriver (1).
- ▶ Secure the front panel on the casing again.

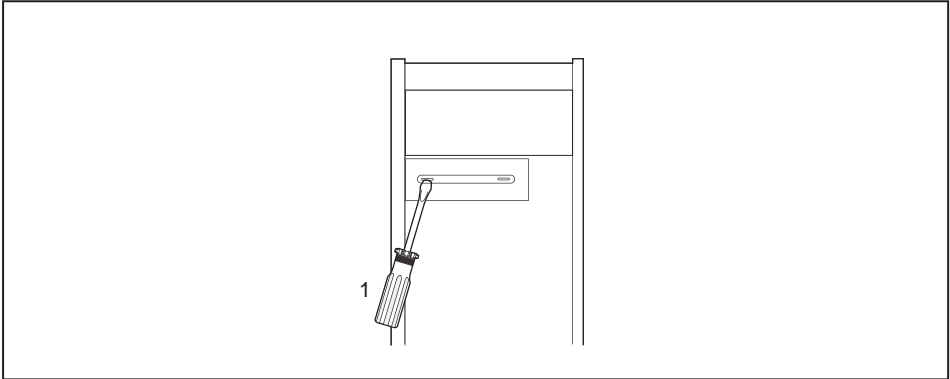


- ▶ Slide the drive into the casing (1). Make sure that the screw holes are aligned.
- ▶ Fasten the drive into place with the screws (2).
- ▶ Plug the data and the power supply connectors into the drive. Make sure the polarity is correct.
- ▶ If there is an accessible drive, please install it again.
- ▶ Close the casing (see ["Closing the casing", Page 31](#)).

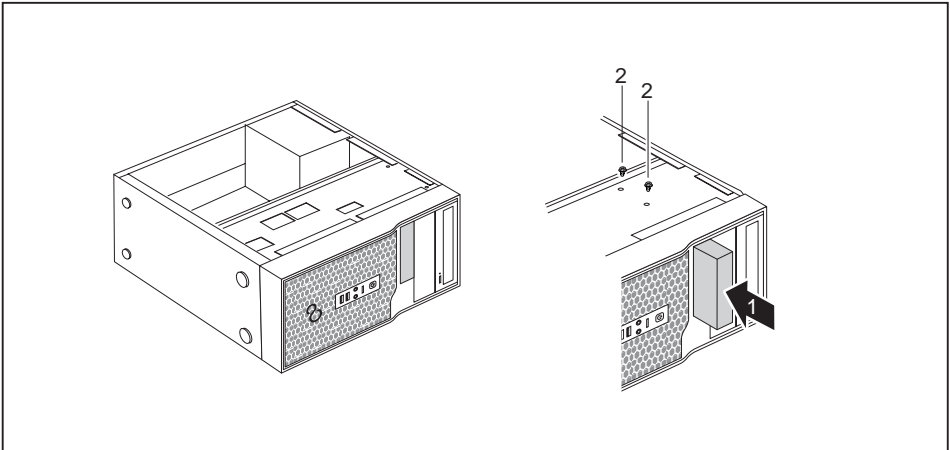
## Installing and removing an accessible 3 1/2 inch drive

### Installing an accessible drive

- ▶ Open the casing (see ["Opening the casing", Page 30](#)).
- ▶ If there is an accessible 5 1/4" drive, remove the drive (see ["Removing an accessible drive", Page 32](#)).
- ▶ Remove the front panel from the casing.
- ▶ From the inside, press the plastic drive cover out of the front panel.



- ▶ Break out the pre-stamped metal cover on the drive bay opening with a screwdriver (1).
- ▶ Secure the front panel on the casing again.

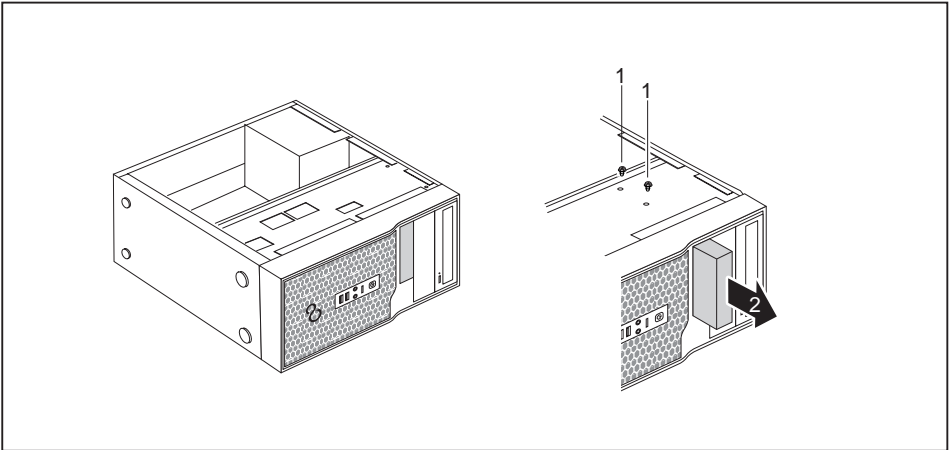


- ▶ Slide the drive into the casing (1). Make sure that the screw holes are aligned.
- ▶ Fasten the drive into place with the screws (2).
- ▶ Plug the data and the power supply connectors into the drive. Make sure the polarity is correct.

- ▶ If there is an accessible 5<sup>1</sup>/<sub>4</sub>" drive, reinstall the drive.
- ▶ Close the casing (see ["Closing the casing", Page 31](#)).

## Removing an accessible drive

- ▶ Open the casing (see ["Opening the casing", Page 30](#)).
- ▶ Disconnect all cables connected to the drive (data cable, power supply cable).

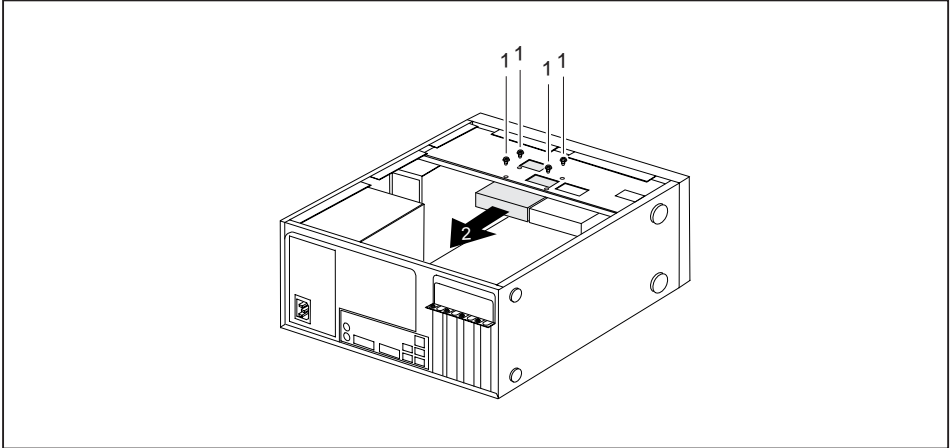


- ▶ Remove the screws (1).
- ▶ Slide the drive out of the bay from behind, in the direction of the arrow (2).
- ▶ Close the casing (see ["Closing the casing", Page 31](#)).

## Installing and removing the hard disk drive

### Removing a hard disk drive

- ▶ Open the casing (see ["Opening the casing", Page 30](#)).
- ▶ Remove all connected cables (data cable, power supply) from the drive.



- ▶ Undo the screws (1) and gently press against the hard disk drive from underneath.
- ▶ Pull the drive backwards a short way out of the bay in the direction of the arrow (2).
- ↳ The drive now protrudes slightly out of the bay.
- ▶ Pull the drive completely out of its bay. Make sure that you are not touching other components.
- ▶ If necessary, make the required settings on the remaining hard disk drive.
- ▶ Close the casing (see ["Closing the casing", Page 31](#)).

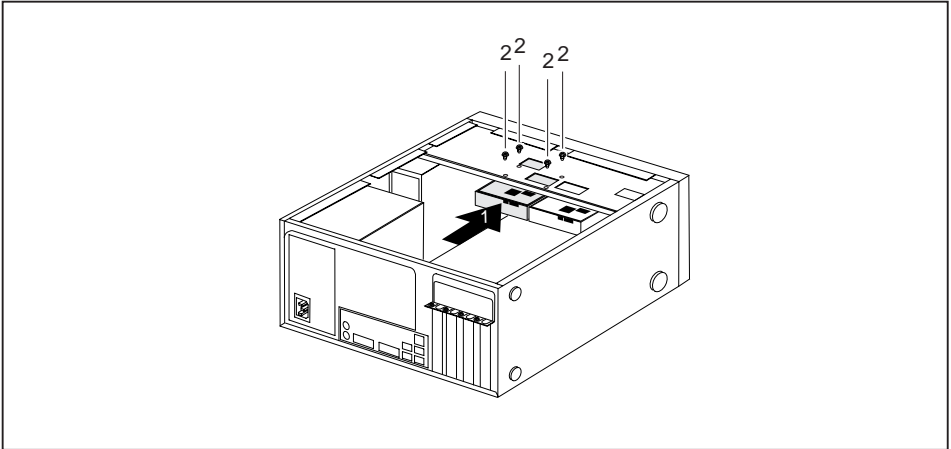


It may be necessary to modify the entry for the remaining drives in the *BIOS Setup*.  
You will need a SATA cable to install a second hard disk on the listed device variants.



## Installing a hard disk drive

- ▶ Open the casing (see ["Opening the casing", Page 30](#)).
- ▶ Take the new hard disk drive out of its packaging.



- ▶ Slide the hard disk drive into the casing (1). Make sure that the screw holes are aligned.
- ▶ Press gently against the hard disk drive from below and secure it with the screws (2).
- ▶ Connect the cables (data cable, power supply) to the drive.  
Check that the polarity is correct and do not use any force.
- ▶ Close the casing (see ["Closing the casing", Page 31](#)).

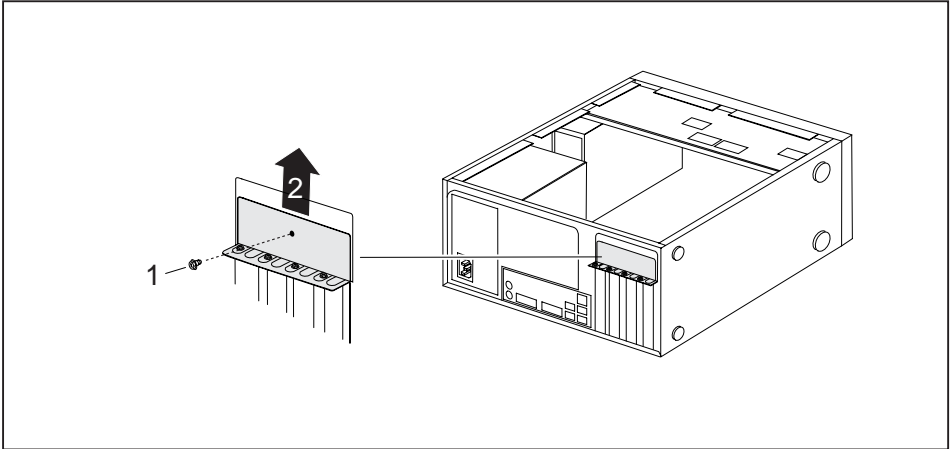
## Installing and removing a board

You can install additional modules in order to increase the performance of your machine.

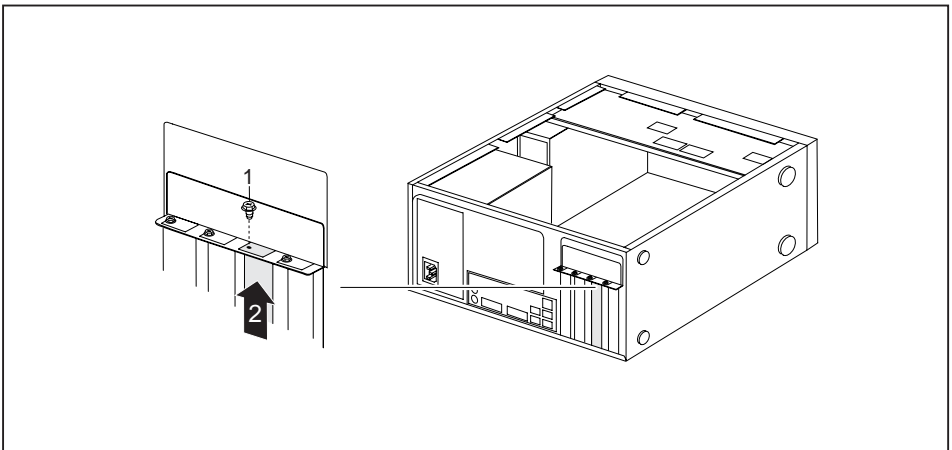
The number, position and arrangement of the board slots on the mainboard can be found in the manual for the mainboard. Boards may already be installed on shipment.

### Board installing

- ▶ Open the casing (see ["Opening the casing", Page 30](#)).



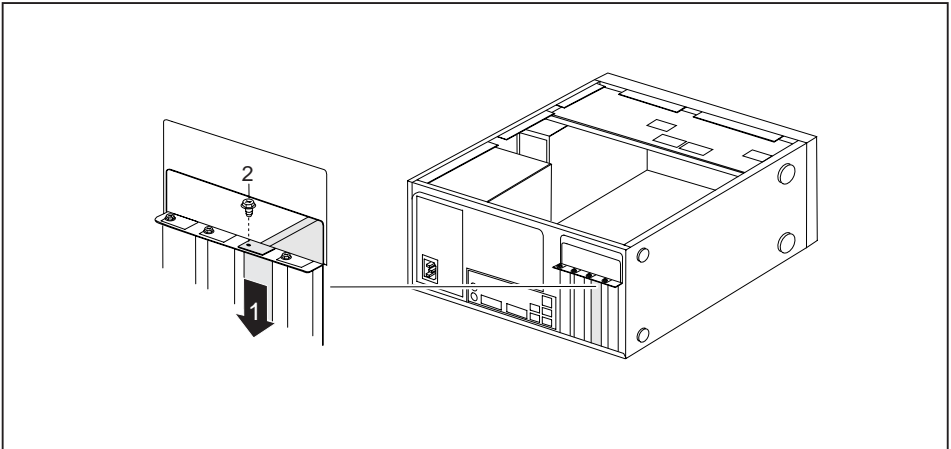
- ▶ Remove the screw (1) from the cover plate (1).
- ▶ Remove the cover plate from the casing in the direction of the arrow (2).



- ▶ Remove the screw on the slot cover (1).
- ▶ Pull the slot cover out of the slot in the direction of the arrow (2).



Do not throw away the slot cover. For cooling, protection against fire and in order to comply with EMC regulations, you must refit the slot cover if you remove the board.



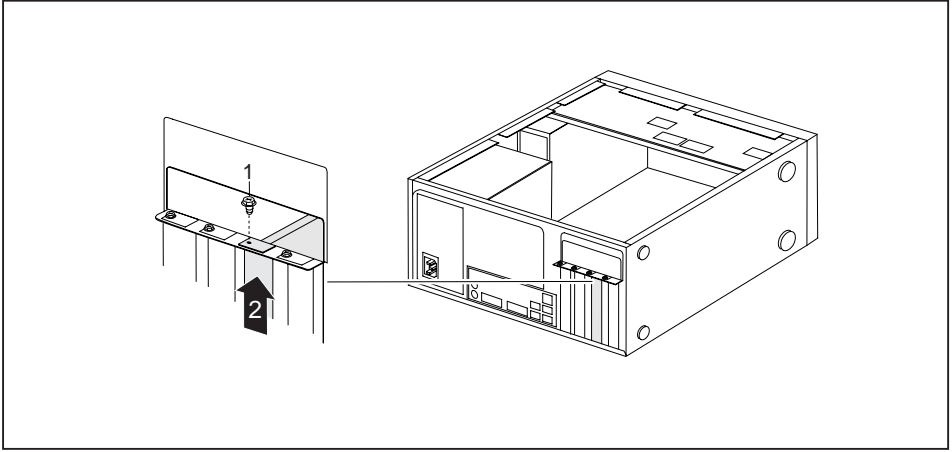
- ▶ Push the board into the slot (1).
- ▶ Tighten the screw on the slot cover (2).
- ▶ Secure the cover plate on the casing again.
- ▶ If necessary, connect the cables to the board.
- ▶ Close the casing (see ["Closing the casing", Page 31](#)).



If you have installed or removed a board, please check the relevant PCI slot settings in the *BIOS Setup*. If necessary, change the settings. Further information is provided in the PCI board documentation.

## Board removing

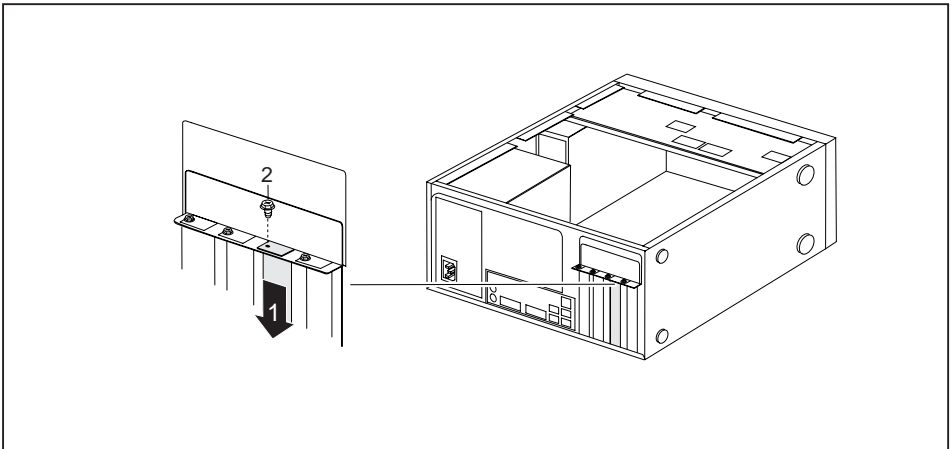
- ▶ Open the casing (see ["Opening the casing", Page 30](#)).
- ▶ Remove the cover plate (see ["Board installing", Page 38](#)).
- ▶ Disconnect the cables connected to the board.



- ▶ Remove the screw on the board (1).
- ▶ Pull the board out of the slot in the direction of the arrow (2).
- ▶ Place the board in suitable packaging.



For cooling, protection against fire, and in order to comply with EMC (electromagnetic compatibility) regulations, you must refit the slot cover.



- ▶ Slide the slot cover into the slot (1).
- ▶ Secure the slot cover in position with the screw (2).
- ▶ Secure the cover plate on the casing again.

- ▶ Close the casing (see ["Closing the casing", Page 31](#)).

A square icon with a lowercase letter 'i' inside, representing an information or note.

If you have installed or removed a PCI board, please check the relevant PCI slot settings in the *BIOS Setup*. If necessary, change the settings. Further information is provided in the PCI board documentation.

## Mainboard expansions

Details on how to upgrade the main memory or the processor of your device can be found in the manual for the mainboard.

### Upgrading main memory

- ▶ Open the casing (see ["Opening the casing", Page 30](#)).
- ▶ Upgrade the memory according to the description in the manual for the mainboard.
- ▶ Close the casing (see ["Closing the casing", Page 31](#)).

### Processor, replacing

- ▶ Open the casing (see ["Opening the casing", Page 30](#)).
- ▶ Upgrade the processor according to the description in the manual for the mainboard.
- ▶ Close the casing (see ["Closing the casing", Page 31](#)).

## Replacing the lithium battery

In order to permanently save the system information, a lithium battery is installed to provide the CMOS-memory with a current. A corresponding error message notifies the user when the charge is too low or the battery is empty. The lithium battery must then be replaced.



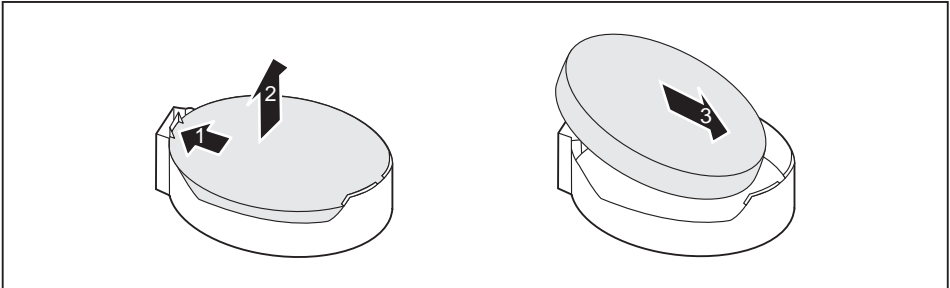
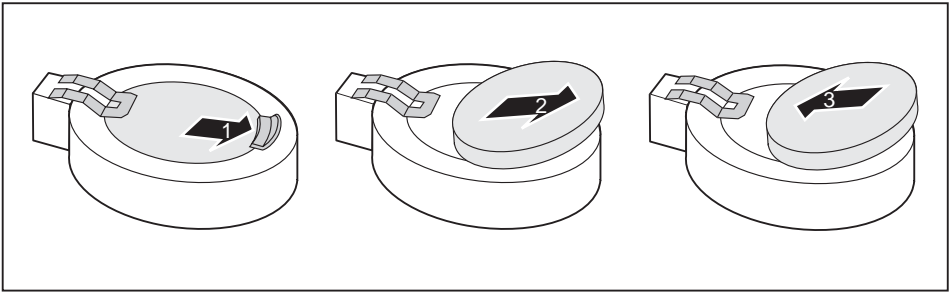
Incorrect replacement of the lithium battery may lead to a risk of explosion!

The lithium battery may be replaced only with an identical battery or with a type recommended by the manufacturer.

Do not dispose of lithium batteries with household waste. They must be disposed of in accordance with local regulations concerning special waste.

Make sure that you observe the correct polarity when replacing the lithium battery. The plus pole must be on the top!

The lithium battery holder exists in different designs that function in the same way.



- ▶ Press the catch in the direction of the arrow (1).
- ↳ The battery jumps out of the holder slightly.
- ▶ Remove the battery (2).
- ▶ Push the new lithium battery of the identical type into the holder (3) and press it down until it engages.

# Technical specification

<b>Electrical data</b>	
Safety standards complied with:	IEC 60950-1, EN 60950-1, UL 60950 CSA 22.2 No.60950-1
Protection class:	I
Rated voltage range:	100 – 240 V
Rated frequency:	50 – 60 Hz
Maximum rated current (with monitor socket):	100 – 240 V 5.0 – 2.5 A
Maximum rated current (without monitor socket):	100 – 240 V 3.0 – 1.5 A
Maximum rated current (optional monitor socket):	100 – 240 V 2.0 – 1.0 A
<b>Dimensions</b>	
Width/depth/height:	175 mm x 417 mm x 354 mm / 6.88 inch x 16.41 inch x 13.93 inch
<b>Weight</b>	
in basic configuration:	approx. 8 kg / 17.63 lbs
<b>Environmental conditions</b>	
Environment class (3K2):	DIN IEC 721 part 3-3
Environment class (2K2):	DIN IEC 721 part 3-2
Temperature:	
Operating (3K2):	10 °C .... 35 °C /50 °F ... 95 °F
Transportation (2K2):	-25 °C .... 60 °C /- 13 °F ... 140 °F
The formation of condensation is not permitted while the device is in operation !	
Clearance required to ensure adequate ventilation:	
without air vents	min. 10 mm / 0.39 inch
with air vents	min. 200 mm / 7.87 inch



The data sheet for this device provides further technical data. The data sheet can be found on our website "<http://www.fujitsu.com/fts>".

# Index

## A

- Access permission, SmartCard 23
- Accessible drive,
  - removing 32
- Alphanumeric keypad 20
- Anti-theft protection 22
- Audio input 13
- Audio output 13

## B

- Battery 42
- BIOS Setup 21
- BIOS Setup,
  - configuration 21
  - security functions 23
  - settings 21
  - system settings 21
- Board,
  - installing 38
  - removing 38–39
- Button,
  - ON/OFF switch 20

## C

- Casing,
  - closing 31
  - Lead-sealing 22
  - opening 30
- CE marking 9
- Chain 22
- Components
  - installing/removing 28
- Connecting a PS/2 keyboard 14
- Connecting,
  - keyboard 14
  - mouse 14
  - PS/2 keyboard 14
  - PS/2 mouse 14
  - USB keyboard 14
- Contents of delivery 11
- Ctrl+Alt+Del 21
- Cursor keys 20

## D

- Data protection 22
- Device
  - indicators 19
  - Ports 13
  - setting up 12

- Device drivers,
  - serial interface 15
- Device,
  - Anti-theft protection 22
    - closing 31
    - Lead-sealing 22
    - opening 30
    - switching off 18
    - switching on 18
    - transporting 7–8
    - upgrades 28
- Devices,
  - connecting 15
- Diskette drive,
  - removing 32, 34
  - replacing 32, 34
- Disposal 8
- Drive,
  - removing 32
- Drivers & Utilities DVD 8

## E

- Electromagnetic compatibility 9
- Energy saving 8
- Ergonomic
  - Workstation 12
- External devices
  - Ports 13
- External devices,
  - connecting 15

## F

- Function keys 20

## G

- Getting started 11

## H

- Hard disk drive,
  - installing 36–37
  - removing 36
  - replacing 36
- Headphones 13

## I

- Important notes 7
- Indicators,
  - device 19



Installing,  
  software 16–17  
  switching on for the first time 16  
Interfaces 13

**K**

Kensington Lock 22  
Keyboard 20  
Keyboard port 13  
keyboard shortcuts 21  
Keyboard shortcuts 20  
Keyboard,  
  alphanumeric keypad 20  
  connecting 14  
  cursor keys 20  
  function keys 20  
  numeric keypad 20  
  port 14  
Keys 20  
  Ctrl 21  
  Ctrl+Alt+Del 21  
  Menu key 21  
Keys,  
  Alt Gr 21  
  Control 21  
  Ctrl key 21  
  cursor keys 20  
  Enter 20  
  Enter key 20  
  menu key 21  
  Num Lock 21  
  Return 20  
  shift 21  
  shift key 21  
  Start key 21

**L**

LAN port 13  
Lead-sealing 22  
Line in 13  
Line out 13  
Lithium battery 41  
Lithium battery,  
  replacing 42  
Low voltage directive 9

**M**

Main memory 41  
Main memory,  
  upgrading 41  
Mainboard  
  Upgrades 41

Mains adapter  
  connecting 12  
Microphone port 13  
Monitor  
  connecting 14  
Monitor port 13  
Monitor,  
  switching off 18  
  switching on 18  
Mouse port 13  
Mouse,  
  connecting 14

**N**

Note  
  safety 7  
Notes  
  CE marking 9  
  important 7  
Numeric keypad 20

**O**

ON/OFF switch 20  
Overview  
  Device 5

**P**

Packaging 11  
Packaging,  
  unpacking 11  
Preparing for first use, overview 11  
Preparing for use,  
  overview 11  
Processor 41  
Processor, replacing 41  
Property protection 22  
PS/2 mouse port 13  
PS/2 mouse,  
  connecting 14  
  port 14

**R**

Recycling 8  
Replacing,  
  lithium battery 42  
Replacing, lithium battery 42  
Retransportation 7–8

**S**

Safety information 7

Security functions  
  SmartCard 23  
Security functions,  
  BIOS Setup 23  
Security measures 22  
Serial interface 15  
Serial interface,  
  connecting devices 15  
  settings 15  
Serial port 13  
Servicing 28  
Setup,  
  see BIOS Setup 21  
Software,  
  installing 16–17  
System expansion 28  
System settings,  
  BIOS Setup 21  
System unit, see Device 8

## T

Transportation 7–8

## U

Universal Serial Bus 13  
Upgrades  
  Mainboard 41  
Upgrades,  
  device 28  
USB devices,  
  connecting 15  
USB port 14  
USB port,  
  connecting devices 15  
  connecting keyboard 14  
  connecting the mouse 14  
User Documentation DVD 8

## W

Workstation 12