

**NOTES:**

1. INSTALLATION SHALL COMPLY WITH ALL APPLICABLE NATIONAL AND LOCAL CODES.
2. SEE PRODUCT DOCUMENTATION FOR FURTHER INFORMATION.
3. UNLESS OTHERWISE SPECIFIED, ALL DIMENSIONS ARE IN INCHES [MILLIMETERS].
4. WEIGHT OF UNIT IS 23.0 LBS [10.45 kg].

THIS DRAWING AND SPECIFICATIONS HEREIN ARE THE PROPERTY OF SCHNEIDER ELECTRIC AND SHALL NOT BE COPIED, REPRODUCED OR USED IN WHOLE OR IN PART, AS THE BASIS FOR THE MANUFACTURE OR SALE OF ITEMS WITHOUT WRITTEN PERMISSION FROM SCHNEIDER ELECTRIC. THIS DRAWING IS BASED UPON LATEST AVAILABLE INFORMATION AND IS SUBJECT TO CHANGE WITHOUT NOTICE.



TITLE:  
19" ROTATING KEYBOARD DRAWER BLACK  
MAIN MECHANICAL

PROJECT: STD SUBMITTAL DRAWINGS SHEET 1 OF 2

DWG NO: **AR8127BLK**

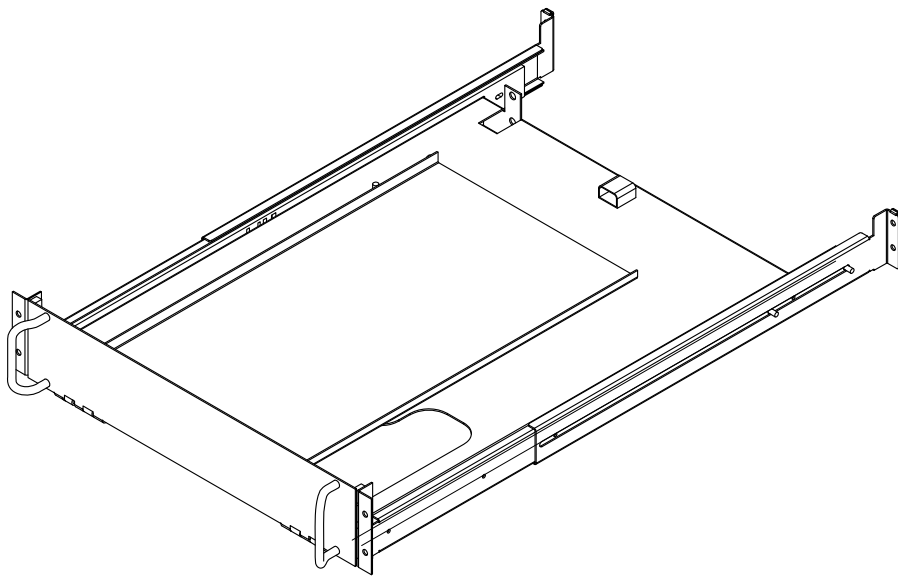
DRAWN BY: K NAGENDRA 18-FEB-08

ENGINEER: M UHRHAN/B OLIVER 18-FEB-08

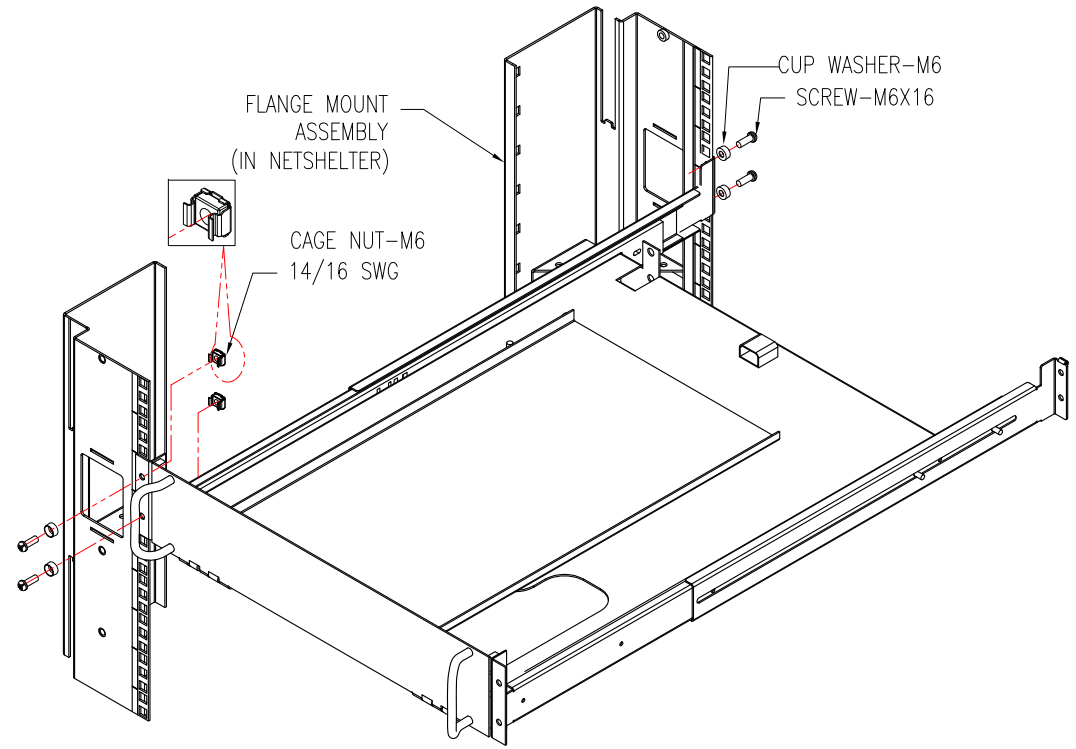
APPROVED BY: SHERDANE SIVAJI LARSEN/S NISHA 18-FEB-08

REV **0**

PROJ  
ANGLE  
N/A



ISOMETRIC VIEW-ASSEMBLY



ISOMETRIC VIEW-TYPICAL INSTALLATION

NOTES:

1. INSTALLATION SHALL COMPLY WITH ALL APPLICABLE NATIONAL AND LOCAL CODES.
2. SEE PRODUCT DOCUMENTATION FOR FURTHER INFORMATION.

THIS DRAWING AND SPECIFICATIONS HEREIN ARE THE PROPERTY OF SCHNEIDER ELECTRIC AND SHALL NOT BE COPIED, REPRODUCED OR USED IN WHOLE OR IN PART, AS THE BASIS FOR THE MANUFACTURE OR SALE OF ITEMS WITHOUT WRITTEN PERMISSION FROM SCHNEIDER ELECTRIC. THIS DRAWING IS BASED UPON LATEST AVAILABLE INFORMATION AND IS SUBJECT TO CHANGE WITHOUT NOTICE.



TITLE:  
19" ROTATING KEYBOARD DRAWER BLACK ASSEMBLY

PROJECT: STD SUBMITTAL DRAWINGS SHEET 2 OF 2

DWG NO: **AR8127BLK**

DRAWN BY: K NAGENDRA 18-FEB-08

ENGINEER: M UHRHAN/B OLIVER 18-FEB-08

APPROVED BY: SHERIDAN/SILVIA/LARSEN/MSH 18-FEB-08

REV **0**

PROJ ANGLE N/A