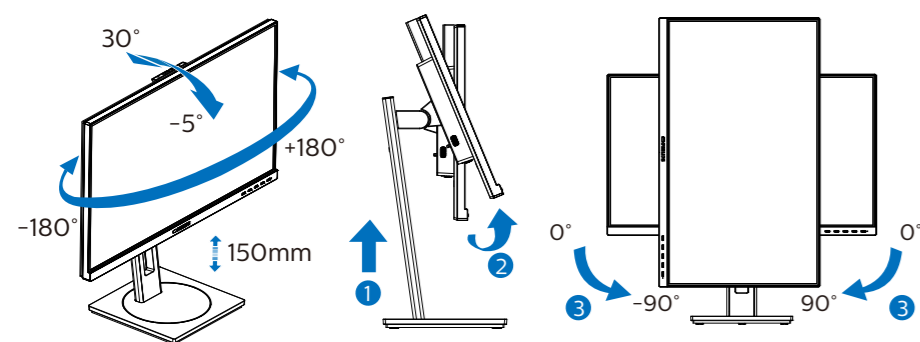
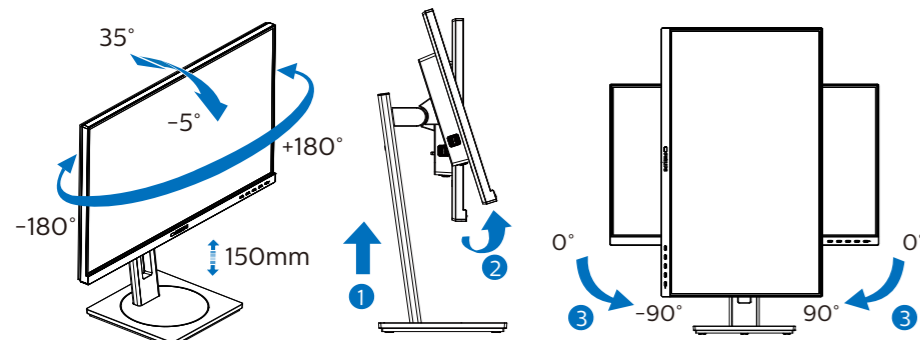


4

242B1H



242B1



EN Need help?

Online help: www.philips.com/support
Go to above online help for the latest SmartControl software.

FR Besoin d'Aide ?

Aide en ligne: www.philips.com/support
Rendez-vous sur l'assistance en ligne mentionnée ci-dessus pour obtenir le logiciel SmartControl le plus récent.

ES ¿Necesita ayuda?

Ayuda en línea: www.philips.com/support
Vaya a la ayuda en línea de arriba para obtener el software SmartControl más actualizado.

DE Benötigen Sie Hilfe?

Online-Hilfe: www.philips.com/support
Rufen Sie für die aktuellste SmartControl-Software die obige Online-Hilfe auf.

IT Avete bisogno di aiuto?

Guida in linea: www.philips.com/support
Accedete alla guida online di cui sopra per il software SmartControl più recente.

BR Precisa ajuda?

Ajuda online: www.philips.com/support
Vá para a ajuda on-line acima para obter o software SmartControl mais recente.

KO 도움이 필요하십니까?

온라인 도움말: www.philips.com/support
온라인 도움말의 최신 SmartControl 소프트웨어로 이동하십시오.

SC 需要帮助?

在线帮助: www.philips.com/support
有关最新SmartControl软件, 请转到上面的线上帮助。

UK Потреbuje dopomogi?

Підтримка он-лайн: www.philips.com/support
Найновіше ПЗ SmartControl подано вище у "Допомога онлайн".

RU Нужна помощь?

Интерактивная справка: www.philips.com/support
Воспользуйтесь приведенной выше интерактивной справкой к новейшему ПО SmartControl.

TR Yardıma ihtiyacınız var mı?

Online yardım: www.philips.com/support
En son SmartControl yazılımı için yukarıdaki çevrimiçi yardıma gidin.

HI क्या सहायता की जरूरत है?

ऑनलाइन सहायता: www.philips.com/support
नवीनतम SmartControl सॉफ्टवेयर के लिए, ऊपर बताए गए ऑनलाइन सहायता पर जाएं।

AR هل تريد المساعدة؟

للمساعدة عبر الإنترنت: www.philips.com/support
انقل إلى التعليمات عبر الإنترنت أعلاه للحصول على أحدث إصدار من SmartControl برنامج.

JP ヘルプが必要ですか?

オンラインヘルプ: www.philips.com/support
最新のSmartControlソフトウェアについては、上記オンラインヘルプにアクセスしてください。

Version: M10242BQ1T

2020 © TOP Victory Investment Ltd. All rights reserved.

This product has been manufactured by and is sold under the responsibility of Top Victory Investments Ltd., and Top Victory Investments Ltd. is the warrantor in relation to this product. Philips and the Philips Shield Emblem are registered trademarks of Koninklijke Philips N.V. and are used under license.

Specifications are subject to change without notice.

www.philips.com

HDMI

HDMI trademark and related patents on technologies belong to their respective owners.



Printed in China



H41G785281336A

PHILIPS

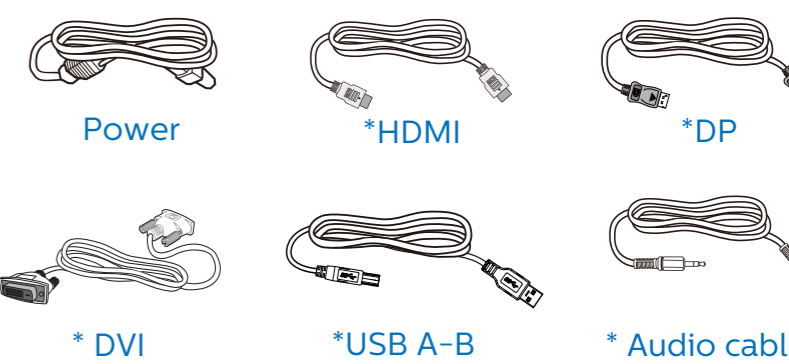
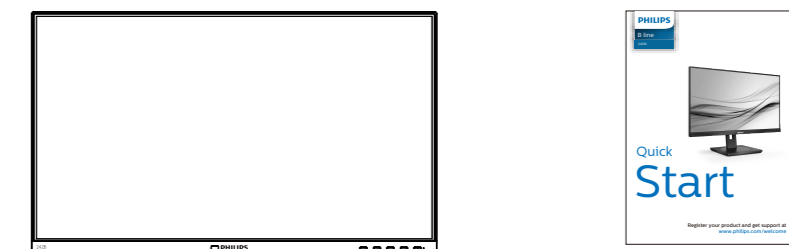
B line

242B1



Quick Start

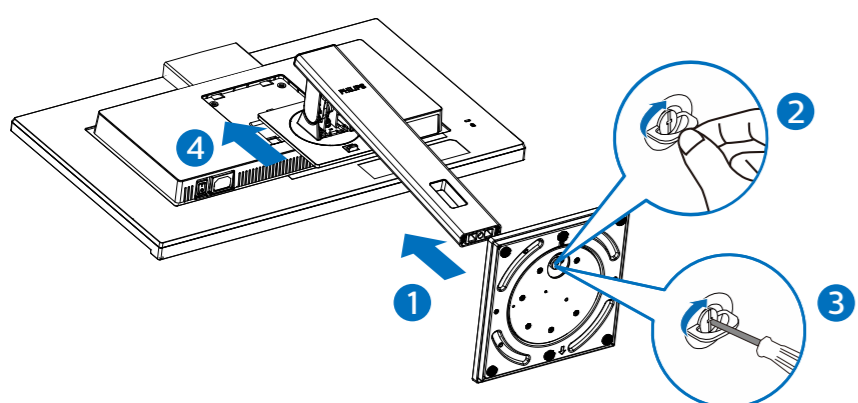
Register your product and get support at www.philips.com/welcome



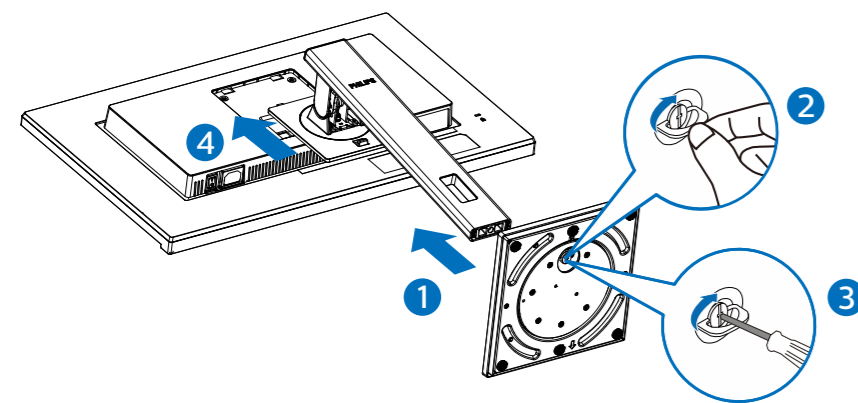
*Different according to region
Display design may differ from that illustrated

1

242B1H

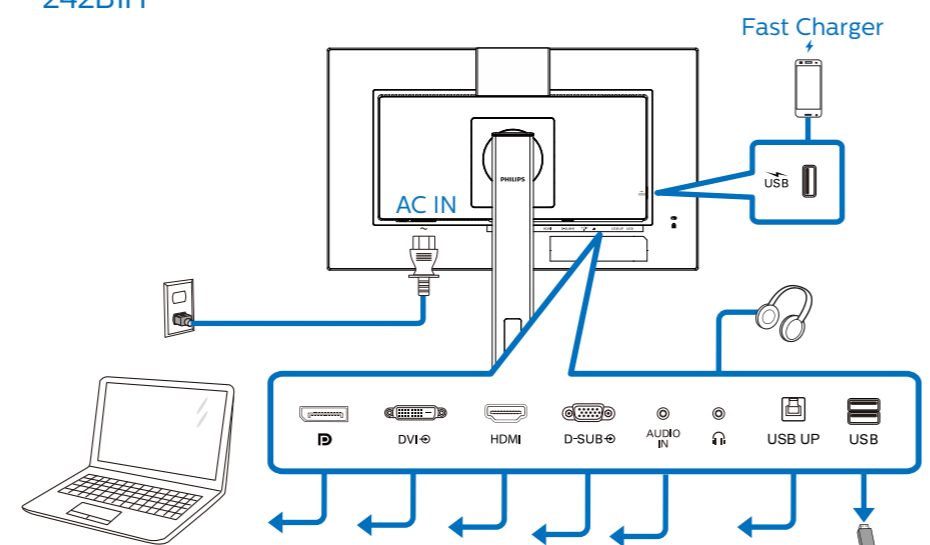


242B1

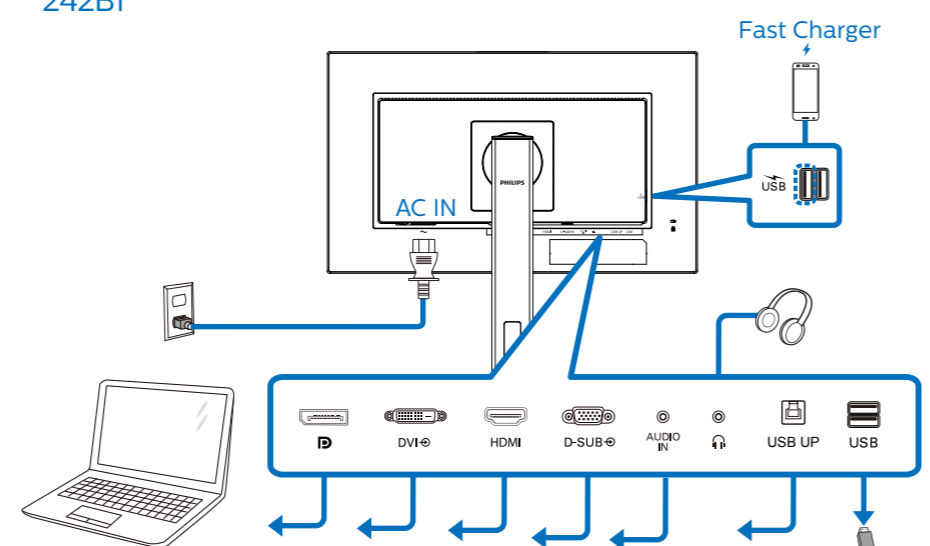


2

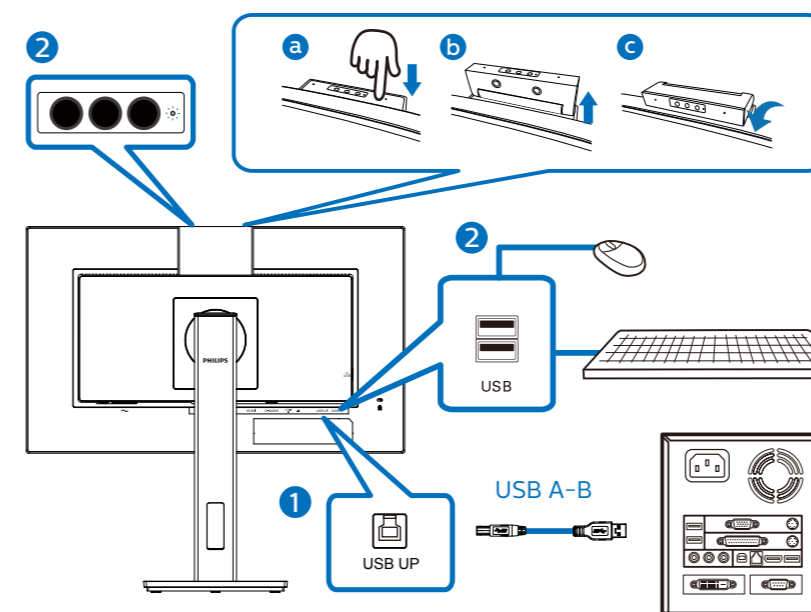
242B1H



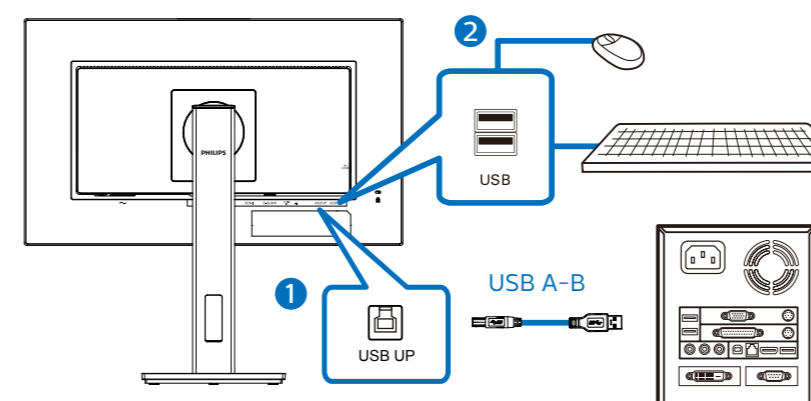
242B1



242B1H



242B1



3

