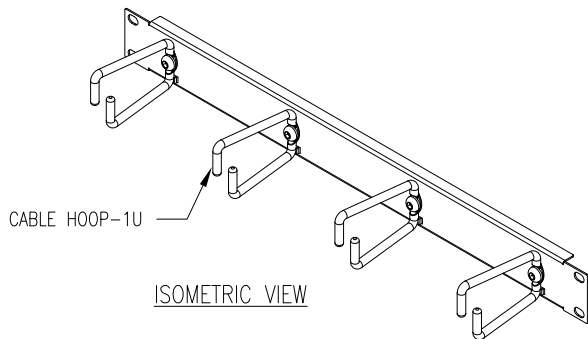
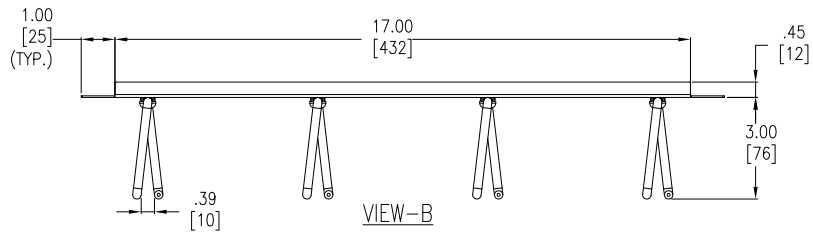
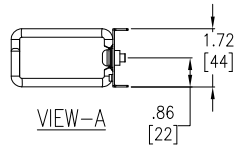
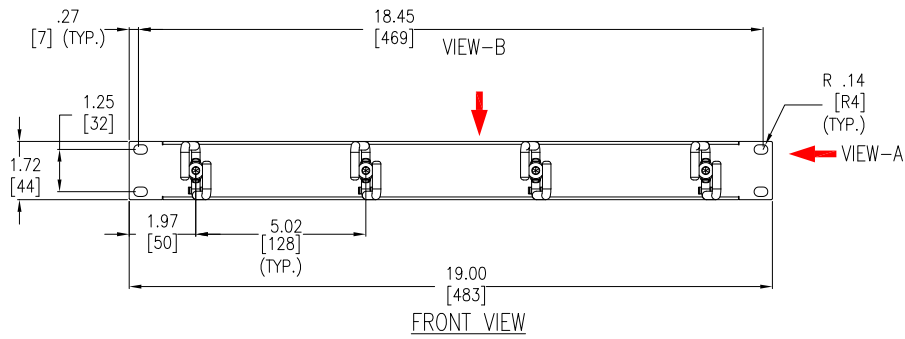


SKU DETAILS

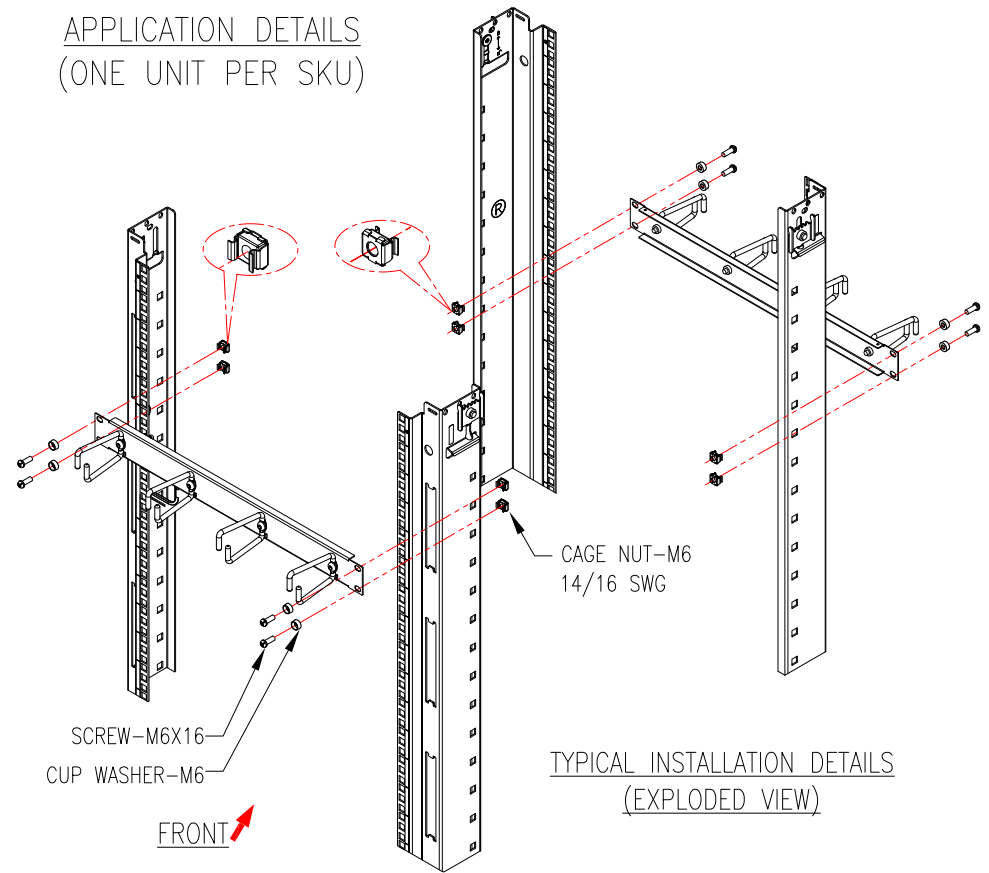


NOTES:

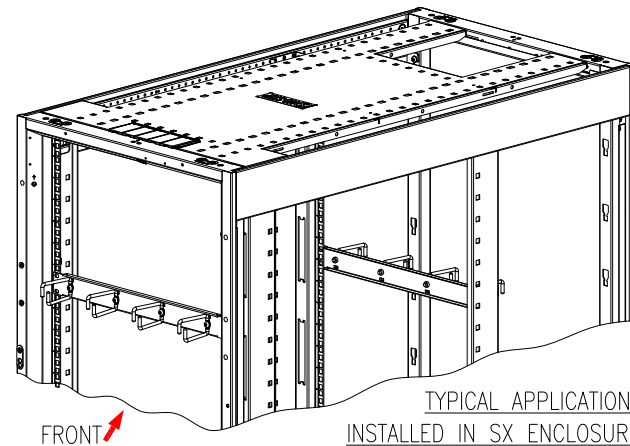
1. INSTALLATION SHALL COMPLY WITH ALL APPLICABLE NATIONAL AND LOCAL CODES.
2. SEE PRODUCT DOCUMENTATION FOR FURTHER INFORMATION.
3. UNLESS OTHERWISE SPECIFIED, ALL DIMENSIONS ARE IN INCHES [MILLIMETERS].
4. EACH SKU INCLUDES ACCESSORIES OF (4) SCREWS, (4) CUP WASHERS & (4) CAGE NUTS.
5. WEIGHT OF UNIT IS 1.4 LBS. [0.64 kg].

THIS DRAWING AND SPECIFICATIONS HEREIN ARE THE PROPERTY OF SCHNEIDER ELECTRIC AND SHALL NOT BE COPIED, REPRODUCED OR USED IN WHOLE OR IN PART, AS THE BASIS FOR THE MANUFACTURE OR SALE OF ITEMS WITHOUT WRITTEN PERMISSION FROM SCHNEIDER ELECTRIC. THIS DRAWING IS BASED UPON LATEST AVAILABLE INFORMATION AND IS SUBJECT TO CHANGE WITHOUT NOTICE.

APPLICATION DETAILS (ONE UNIT PER SKU)



TYPICAL INSTALLATION DETAILS (EXPLODED VIEW)



TYPICAL APPLICATION EXAMPLE, INSTALLED IN SX ENCLOSURE (DIMETRIC VIEW)

Schneider Electric

TITLE:

1U HORIZONTAL CABLE ORGANIZER

PROJECT: STD SUBMITTAL DRAWINGS SHEET 1 OF 1

DWG NO:

AR8425A

DRAWN BY: BALAMURUGAN 07-DEC-07

ENGINEER: M UHRHAN/B OLIVER 07-DEC-07

APPROVED BY: SHERIDANE SULLIVAN/CAROLINE WASH 07-DEC-07

REV 0

PROJ ANGLE N/A